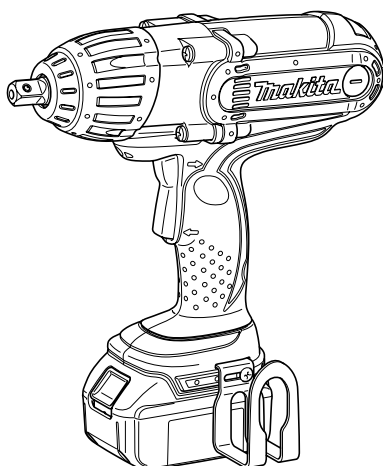
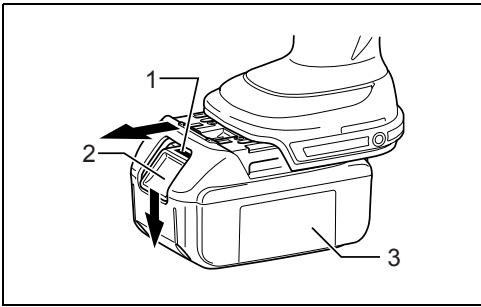




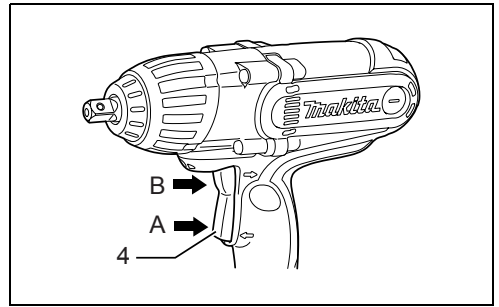
<b>GB</b> Cordless Impact Wrench	<b>Instruction manual</b>
<b>F</b> Clé à chocs sans fil	<b>Manuel d'instructions</b>
<b>D</b> Akku-Schlagschrauber	<b>Betriebsanleitung</b>
<b>I</b> Avvitatrice ad impulsi a batteria	<b>Istruzioni per l'uso</b>
<b>NL</b> Accuslagdopsleutel	<b>Gebruiksaanwijzing</b>
<b>E</b> Llave de impacto a batería	<b>Manual de instrucciones</b>
<b>P</b> Chave de impacto sem fios	<b>Manual de instruções</b>
<b>DK</b> Ledningsfri slagskruenøgle	<b>Brugsanvisning</b>
<b>GR</b> Δραπανοκατσάβιδο μπαταρίας	<b>Οδηγίες χρήσης</b>

**BTW450**

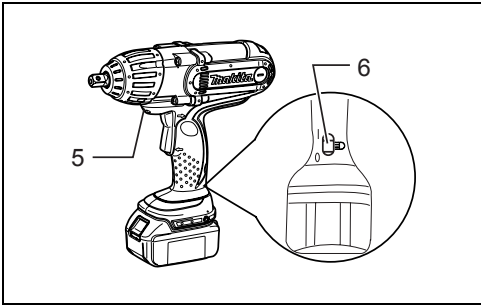




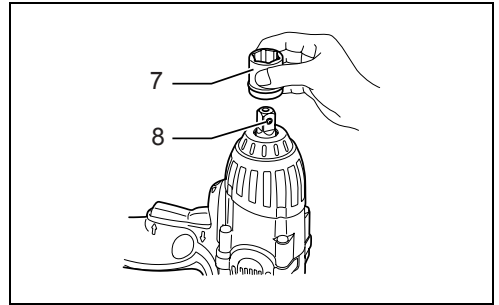
1



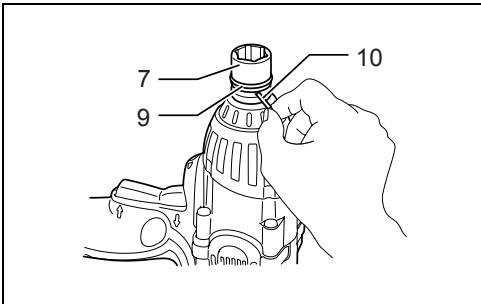
2



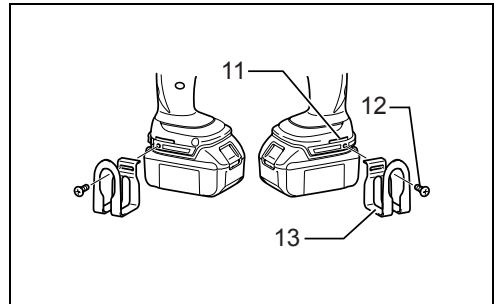
3



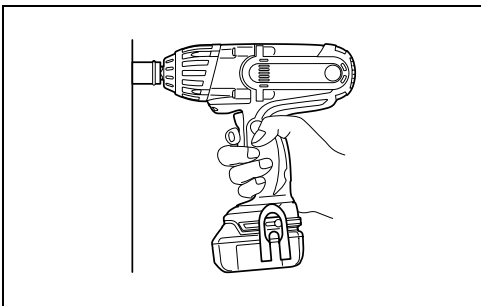
4



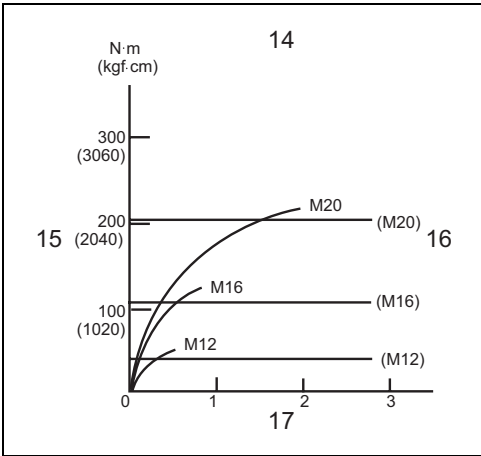
5



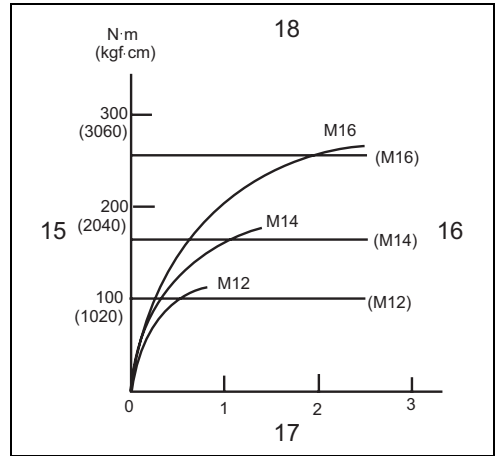
6



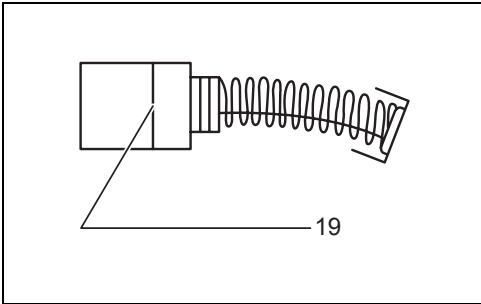
7



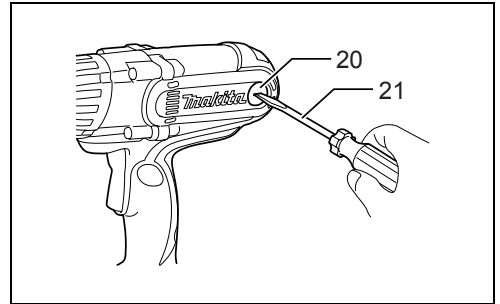
8



9



10



11

## ENGLISH (Original instructions)

### Explanation of general view

- |                      |                   |                             |
|----------------------|-------------------|-----------------------------|
| 1. Red part          | 8. Anvil          | 15. Fastening torque        |
| 2. Button            | 9. O-ring         | 16. Proper fastening torque |
| 3. Battery cartridge | 10. Pin           | 17. Fastening time (S)      |
| 4. Switch trigger    | 11. Groove        | 18. High tensile bolt       |
| 5. Lamp              | 12. Screw         | 19. Limit mark              |
| 6. Lamp switch       | 13. Hook          | 20. Brush holder cap        |
| 7. Socket            | 14. Standrad bolt | 21. Screwdriver             |

## SPECIFICATIONS

Model		BTW450
Capacities	Standard bolt	M12 - M22
	High tensile bolt	M12 - M16
Square drive		12.7 mm
No load speed (min <sup>-1</sup> )		1,600
Impacts per minute		2,200
Max. fastening torque		440 N.m
Overall length		266 mm
Net weight		3.4 kg
Rated voltage		D.C.18 V

- Due to our continuing programme of research and development, the specifications herein are subject to change without notice.
- Specifications may differ from country to country.
- Weight, with battery cartridge, according to EPTA-Procedure 01/2003


### Intended use

ENE036-1

The tool is intended for fastening bolts and nuts.

## General Power Tool Safety Warnings

GEA010-1

 **WARNING** Read all safety warnings and all instructions. Failure to follow the warnings and instructions may result in electric shock, fire and/or serious injury.

## Save all warnings and instructions for future reference.

## CORDLESS IMPACT WRENCH SAFETY WARNINGS

GEB049-2

1. **Hold power tool by insulated gripping surfaces, when performing an operation where the fastener may contact hidden wiring.** Fasteners contacting a "live" wire may make exposed metal parts of the power tool "live" and could give the operator an electric shock.
2. **Wear ear protectors.**
3. **Check the socket carefully for wear, cracks or damage before installation.**
4. **Hold the tool firmly.**
5. **Always be sure you have a firm footing. Be sure no one is below when using the tool in high locations.**

6. **The proper fastening torque may differ depending upon the kind or size of the bolt. Check the torque with a torque wrench.**

## SAVE THESE INSTRUCTIONS.

### WARNING:

**DO NOT** let comfort or familiarity with product (gained from repeated use) replace strict adherence to safety rules for the subject product. **MISUSE** or failure to follow the safety rules stated in this instruction manual may cause serious personal injury.

## IMPORTANT SAFETY INSTRUCTIONS

ENC007-4

## FOR BATTERY CARTRIDGE

1. **Before using battery cartridge, read all instructions and cautionary markings on (1) battery charger, (2) battery, and (3) product using battery.**
2. **Do not disassemble battery cartridge.**
3. **If operating time has become excessively shorter, stop operating immediately.** It may result in a risk of overheating, possible burns and even an explosion.
4. **If electrolyte gets into your eyes, rinse them out with clear water and seek medical attention right away.** It may result in loss of your eyesight.
5. **Do not short the battery cartridge:**

- (1) **Do not touch the terminals with any conductive material.**
  - (2) **Avoid storing battery cartridge in a container with other metal objects such as nails, coins, etc.**
  - (3) **Do not expose battery cartridge to water or rain. A battery short can cause a large current flow, overheating, possible burns and even a breakdown.**
6. **Do not store the tool and battery cartridge in locations where the temperature may reach or exceed 50°C (122°F).**
  7. **Do not incinerate the battery cartridge even if it is severely damaged or is completely worn out. The battery cartridge can explode in a fire.**
  8. **Be careful not to drop or strike battery.**
  9. **Do not use dropped or struck battery.**

## SAVE THESE INSTRUCTIONS.

### Tips for maintaining maximum battery life

1. **Charge the battery cartridge before completely discharged. Always stop tool operation and charge the battery cartridge when you notice less tool power.**
2. **Never recharge a fully charged battery cartridge. Overcharging shortens the battery service life.**
3. **Charge the battery cartridge with room temperature at 10°C - 40°C (50°F - 104°F). Let a hot battery cartridge cool down before charging it.**

## FUNCTIONAL DESCRIPTION

### CAUTION:

- Always be sure that the tool is switched off and the battery cartridge is removed before adjusting or checking function on the tool.

### Installing or removing battery cartridge (Fig. 1)

- Always switch off the tool before installation or removal of the battery cartridge.
- To remove the battery cartridge, withdraw it from the tool while sliding the button on the front of the cartridge.
- To insert the battery cartridge, align the tongue on the battery cartridge with the groove in the housing and slip it into place. Always insert it all the way until it locks in place with a little click. If you can see the red part on the upper side of the button, it is not locked completely. Insert it fully until the red part cannot be seen. If not, it may accidentally fall out of the tool, causing injury to you or someone around you.
- Do not use force when inserting the battery cartridge. If the cartridge does not slide in easily, it is not being inserted correctly.

### Switch action (Fig. 2)

### CAUTION:

- Before inserting the battery cartridge into the tool, always check to see that the switch trigger actuates properly and returns to the "OFF" position when released.

- Change the direction of rotation only when the tool comes to a complete stop. Changing it before the tool stops may damage the tool.

The switch is reversible, providing either clockwise or counterclockwise rotation. To start the tool, simply pull the lower part (A) of the switch trigger for clockwise or the upper part (B) for counterclockwise. Release the switch trigger to stop.

### Lighting up the front lamp (Fig. 3)

### CAUTION:

- Do not look in the light or see the source of light directly.

Push the upper position of the lamp switch for turning on the light and the lower position for off.

### NOTE:

- Use a dry cloth to wipe the dirt off the lens of lamp. Be careful not to scratch the lens of lamp, or it may lower the illumination.
- The light is provided with anti excessive discharge circuit. When the lamp does not light up even after the light switch is turned on, there is likely to be battery power drop. Try to charge the battery cartridge.
- Keep the lamp switch in "off" position while not in need of the light.

## ASSEMBLY

### CAUTION:

- Always be sure that the tool is switched off and the battery cartridge is removed before carrying out any work on the tool.

### Selecting correct socket

Always use the correct size socket for bolts and nuts. An incorrect size socket will result in inaccurate and inconsistent fastening torque and/or damage to the bolt or nut.

### Installing or removing socket (Fig. 4)

1. For socket without O-ring and pin
    - To install the socket, push it onto the anvil of the tool until it locks into place.
    - To remove the socket, simply pull it off.
  2. For socket with O-ring and pin (Fig. 5)
    - Move the O-ring out of the groove in the socket and remove the pin from the socket. Fit the socket onto the anvil of the tool so that the hole in the socket is aligned with the hole in the anvil. Insert the pin through the hole in the socket and anvil.
    - Then return the O-ring to the original position in the socket groove to retain the pin. To remove the socket, follow the installation procedures in reverse.
- Align the hole in the side of the socket with the detent pin on the anvil and push it onto the anvil of the tool until it locks into place. Tap it lightly if required.
- To remove the socket, simply pull it off.

### Hook

### CAUTION:

After installing the hook, make sure that it is screwed firmly. (Fig. 6)

The hook is convenient for temporarily hanging the tool.

This can be installed on either side of the tool.  
To install the hook, insert it into a groove in the tool housing on either side and then secure it with a screw.  
To remove, loosen the screw and then take it out.

## OPERATION

### CAUTION:

- Always insert the battery cartridge all the way until it locks in place. If you can see the red part on the upper side of the button, it is not locked completely. Insert it fully until the red part cannot be seen. If not, it may accidentally fall out of the tool, causing injury to you or someone around you.

Hold the tool firmly and place the socket over the bolt or nut. Turn the tool on and fasten for the proper fastening time. (Fig. 7)

The proper fastening torque may differ depending upon the kind or size of the bolt, the material of the workpiece to be fastened, etc. The relation between fastening torque and fastening time is shown in the figures. (Fig. 8 & 9)

### NOTE:

- Hold the tool pointed straight at the bolt or nut.
- Excessive fastening torque may damage the bolt/nut or socket. Before starting your job, always perform a test operation to determine the proper fastening time for your bolt or nut.
- If the tool is operated continuously until the battery cartridge has discharged, allow the tool to rest for 15 minutes before proceeding with a fresh battery cartridge.

The fastening torque is affected by a wide variety of factors including the following. After fastening, always check the torque with a torque wrench.

1. When the battery cartridge is discharged almost completely, voltage will drop and the fastening torque will be reduced.
2. Socket
  - Failure to use the correct size socket will cause a reduction in the fastening torque.
  - A worn socket (wear on the hex end or square end) will cause a reduction in the fastening torque.
3. Bolt
  - Even though the torque coefficient and the class of bolt are the same, the proper fastening torque will differ according to the diameter of bolt.
  - Even though the diameters of bolts are the same, the proper fastening torque will differ according to the torque coefficient, the class of bolt and the bolt length.
4. The use of the universal joint or the extension bar somewhat reduces the fastening force of the impact wrench. Compensate by fastening for a longer period of time.
5. The manner of holding the tool or the material of driving position to be fastened will affect the torque.
6. Operating the tool at low speed will cause a reduction in the fastening torque.

## MAINTENANCE

### CAUTION:

- Always be sure that the tool is switched off and the battery cartridge is removed before attempting to perform inspection or maintenance.

## Replacing carbon brushes (Fig. 10)

Remove and check the carbon brushes regularly. Replace when they wear down to the limit mark. Keep the carbon brushes clean and free to slip in the holders. Both carbon brushes should be replaced at the same time. Use only identical carbon brushes. Use a screwdriver to remove the brush holder caps. Take out the worn carbon brushes, insert the new ones and secure the brush holder caps. (Fig. 11)  
To maintain product SAFETY and RELIABILITY, repairs, any other maintenance or adjustment should be performed by Makita Authorized Service Centers, always using Makita replacement parts.

## ACCESSORIES

### CAUTION:

- These accessories or attachments are recommended for use with your Makita tool specified in this manual. The use of any other accessories or attachments might present a risk of injury to persons. Only use accessory or attachment for its stated purpose.

If you need any assistance for more details regarding these accessories, ask your local Makita Service Center.

- Sockets
- Extension bar
- Universal joint
- Bit adapter
- Makita genuine battery and charger

### For European countries only

#### Noise

ENG102-3

The typical A-weighted noise level determined according to EN60745:

Sound pressure level ( $L_{pA}$ ): 94 dB (A)

Sound power level ( $L_{WA}$ ): 105 dB (A)

Uncertainty (K): 3 dB (A)

#### Wear ear protection.

#### Vibration

ENG205-2

The vibration total value (tri-axial vector sum) determined according to EN60745:

Work mode: impact tightening of fasteners of the

maximum capacity of the tool

Vibration emission ( $a_{h1}$ ): 19 m/s<sup>2</sup>

Uncertainty (K): 1.5 m/s<sup>2</sup>

ENG901-1

- The declared vibration emission value has been measured in accordance with the standard test method and may be used for comparing one tool with another.
- The declared vibration emission value may also be used in a preliminary assessment of exposure.

### ⚠ WARNING:

- The vibration emission during actual use of the power tool can differ from the declared emission value depending on the ways in which the tool is used.
- Be sure to identify safety measures to protect the operator that are based on an estimation of exposure in the actual conditions of use (taking account of all parts of the operating cycle such as the times when the tool is switched off and when it is running idle in addition to the trigger time).

**For European countries only**

ENH101-13

**EC Declaration of Conformity**

**We Makita Corporation as the responsible manufacturer declare that the following Makita machine(s):**

Designation of Machine: Cordless Impact Wrench

Model No./ Type: BTW450

are of series production and

**Conforms to the following European Directives:**

98/37/EC until 28th December 2009 and then with

2006/42/EC from 29th December 2009

And are manufactured in accordance with the following standards or standardised documents:

EN60745

The technical documentation is kept by our authorized representative in Europe who is:

Makita International Europe Ltd.,

Michigan, Drive, Tongwell,

Milton Keynes, MK15 8JD, England

30th January 2009



Tomoyasu Kato  
Director

Makita Corporation  
3-11-8, Sumiyoshi-cho,  
Anjo, Aichi, JAPAN

# FRANÇAIS (Instructions d'origine)

## Descriptif

- |                          |                     |                               |
|--------------------------|---------------------|-------------------------------|
| 1. Partie rouge          | 8. Enclume          | 15. Couple de serrage         |
| 2. Bouton                | 9. Joint torique    | 16. Couple de serrage adéquat |
| 3. Batterie              | 10. Broche          | 17. Temps de serrage (S)      |
| 4. Gâchette              | 11. Rainure         | 18. Boulon haute résistance   |
| 5. Lampe                 | 12. Vis             | 19. Repère d'usure            |
| 6. Interrupteur de lampe | 13. Crochet         | 20. Bouchon de porte-charbon  |
| 7. Douille               | 14. Boulon standard | 21. Tournevis                 |

## SPÉCIFICATIONS

Modèle		BTW450
Capacités	Boulon standard	M12 - M22
	Boulon haute résistance	M12 - M16
Carré conducteur		12,7 mm
Vitesse à vide (min <sup>-1</sup> )		1 600
Chocs par minute		2 200
Couple de serrage max.		440 N.m
Longueur totale		266 mm
Poids net		3,4 kg
Tension nominale		C.C. 18 V

- Étant donné l'évolution constante de notre programme de recherche et de développement, les spécifications contenues dans ce manuel sont sujettes à des modifications sans préavis.
- Les spécifications peuvent varier d'un pays à l'autre.
- Poids, batterie incluse, selon la procédure EPTA 01/2003

### Utilisations

ENE036-1

L'outil est conçu pour le serrage des boulons et écrous.

## Consignes de sécurité générales des outils électriques

GEA010-1

**⚠ AVERTISSEMENT** Veuillez lire toutes les consignes de sécurité et les instructions. Il y a un risque de choc électrique, d'incendie et/ou de blessure grave si les consignes et les instructions ne sont pas toutes respectées.

## Conservez toutes les consignes et instructions pour référence ultérieure.

## AVERTISSEMENTS DE SÉCURITÉ CONCERNANT LA CLÉ À CHOCS SANS FIL

GEB049-2

1. Tenez l'outil électrique par ses surfaces de poigne isolées lorsque vous effectuez une opération au cours de laquelle la pièce de fixation peut entrer en contact avec des fils cachés. Il est possible que les pièces de fixation entrant en contact avec un fil sous tension mettent les parties métalliques exposées de l'outil sous tension, risquant ainsi de provoquer un choc électrique chez l'utilisateur.
2. Portez des protections auditives.

3. Avant de commencer votre travail, vérifiez soigneusement l'absence de traces d'usure, de fissures ou de dommages sur la douille.
4. Tenez l'outil fermement.
5. Assurez-vous toujours d'une bonne position d'équilibre. Assurez-vous que personne ne se trouve dessous lorsque vous utilisez l'outil en position élevée.
6. Le couple de serrage adéquat peut varier suivant le type ou le format de boulon utilisé. Vérifiez le torque avec une clé dynamométrique.

## CONSERVEZ CES INSTRUCTIONS.

### AVERTISSEMENT :

NE vous laissez PAS tromper (au fil d'une utilisation répétée) par un sentiment d'aisance et de familiarité avec le produit, en négligeant le respect rigoureux des consignes de sécurité qui accompagnent l'outil. Une UTILISATION INCORRECTE de l'outil ou un non-respect des consignes de sécurité indiquées dans ce manuel d'instructions peuvent causer des blessures graves.

## CONSIGNES DE SÉCURITÉ IMPORTANTES

ENC007-4

## POUR LA BATTERIE

1. Avant d'utiliser la batterie, lisez toutes les instructions et tous les avertissements inscrits



sur (1) le chargeur, (2) la batterie et (3) l'appareil alimenté par la batterie.

2. **Ne démontez pas la batterie.**
3. **Cessez immédiatement d'utiliser l'appareil si le temps de fonctionnement devient excessivement court. Il y a risque de surchauffe et de brûlures, voire d'explosion.**
4. **Si l'électrolyte pénètre dans vos yeux, rincez-les à l'eau claire et consultez immédiatement un médecin. Il y a risque de perte de la vue.**
5. **Évitez de court-circuiter la batterie :**
  - (1) **Ne touchez les bornes avec aucun matériau conducteur.**
  - (2) **Évitez de ranger la batterie dans un contenant où se trouvent d'autres objets métalliques tels que clous, pièces de monnaie, etc.**
  - (3) **N'exposez pas la batterie à l'eau ou à la pluie. Un court-circuit de la batterie pourrait provoquer un fort courant, une surchauffe, parfois des brûlures et même une panne.**
6. **Ne rangez pas l'outil et la batterie dans des endroits où la température risque d'atteindre ou de dépasser 50°C (122°F).**
7. **Ne jetez pas la batterie au feu même si elle est sérieusement endommagée ou complètement épuisée. La batterie peut exploser au contact du feu.**
8. **Prenez garde de laisser tomber ou de heurter la batterie.**
9. **Ne pas utiliser une batterie qui est tombée ou qui a subi un choc.**

## CONSERVEZ CES INSTRUCTIONS.

Conseils pour prolonger la durée de vie de la batterie

1. **Rechargez la batterie avant qu'elle soit ne complètement épuisée. Arrêtez toujours l'outil et rechargez la batterie quand vous constatez que la puissance de l'outil diminue.**
2. **Ne rechargez jamais une batterie complètement chargée. La surcharge réduit la durée de service de la batterie.**
3. **Chargez la batterie alors que la température de la pièce se trouve entre 10°C et 40°C (50°F et 104°F). Avant de charger une batterie chaude, laissez-la refroidir.**

## DESCRIPTION DU FONCTIONNEMENT

**ATTENTION :**

- Veillez toujours à éteindre l'outil et déposer la batterie avant de régler ou vérifier le fonctionnement de l'outil.

### Installation ou dépose de la batterie (Fig. 1)

- Mettez toujours l'outil hors tension avant d'installer ou de déposer la batterie.
- Pour retirer la batterie, sortez-la de l'outil tout en faisant glisser le bouton à l'avant de la batterie.
- Pour insérer la batterie, alignez sa languette sur la rainure qui se trouve à l'intérieur du carter, puis glissez

la batterie pour la mettre en place. Insérez-la toujours bien à fond, jusqu'à ce qu'elle se verrouille en émettant un léger déclic. Si vous pouvez voir la partie rouge sur la face supérieure du bouton, la batterie n'est pas parfaitement verrouillée. Insérez-la à fond, jusqu'à ce que la partie rouge ne soit plus visible. Dans le cas contraire, la batterie risque de tomber accidentellement de l'outil et de vous blesser ou de blesser une personne se trouvant près de vous.

- N'appliquez aucune force excessive lors de l'insertion de la batterie. Si la batterie ne glisse pas aisément, c'est qu'elle n'est pas insérée correctement.

### Interrupteur (Fig. 2)

**ATTENTION :**

- Avant d'insérer la batterie dans l'outil, vérifiez toujours que la gâchette fonctionne bien et revient en position d'arrêt lorsqu'elle est relâchée.
- Attendez l'arrêt complet de l'outil avant de changer le sens de rotation. En le changeant avec l'arrêt complet, vous risqueriez d'endommager l'outil.

Le commutateur, réversible, permet d'effectuer une rotation dans le sens des aiguilles d'une montre ou en sens contraire. Pour faire démarrer l'outil, appuyez simplement sur la partie inférieure (A) de la gâchette pour une rotation dans le sens des aiguilles d'une montre, et sur la partie supérieure (B) pour une rotation en sens contraire. Pour l'arrêter, relâchez la gâchette.

### Allumage de la lampe avant (Fig. 3)

**ATTENTION :**

- Ne regardez pas directement la lumière ou la source de lumière.

Appuyez sur la partie supérieure de l'interrupteur de lampe pour allumer la lumière, et sur la partie inférieure pour l'éteindre.

**REMARQUE :**

- Utilisez un chiffon sec pour essuyer les saletés qui recouvrent la lentille de la lampe. Prenez garde de rayer la lentille de la lampe, sinon sa capacité d'éclairage sera affectée.
- Cette lampe est équipée d'un circuit de protection contre la décharge excessive. Si la lampe ne s'allume pas lorsque vous activez son interrupteur, cela signifie probablement que la batterie est trop faible. Réessayez après avoir chargé la batterie.
- Laissez l'interrupteur de lampe en position d'arrêt lorsque vous n'avez pas besoin de lumière.

## ASSEMBLAGE

**ATTENTION :**

- Assurez-vous toujours que l'outil est hors tension et que la batterie est retirée avant d'effectuer toute intervention sur l'outil.

### Sélectionner la bonne douille

Utilisez toujours une douille dont le format correspond à celui des boulons et écrous. Une douille de format incorrect causera un couple de serrage imprécis et irrégulier, et/ou endommagera le boulon ou l'écrou.

## Installation et dépose de la douille (Fig. 4)

1. Pour la douille sans joint torique ni broche  
Pour installer la douille, poussez-la dans l'enclume de l'outil jusqu'à ce qu'elle se verrouille en place.  
Pour déposer la douille, sortez-la simplement en tirant.
2. Pour la douille avec joint torique et broche (Fig. 5)  
Dégagez le joint torique de la rainure à l'intérieur de la douille, et retirez la broche de la douille. Placez la douille dans l'enclume de l'outil de sorte que l'orifice de la douille soit aligné sur celui de l'enclume. Insérez la broche à travers l'orifice de la douille et de l'enclume.  
Tournez ensuite le joint torique jusqu'à sa position initiale dans la rainure de la douille pour retenir la broche. Pour déposer la douille, effectuez les opérations inverses de la procédure d'installation.

Alignez l'orifice pratiqué sur le côté de la douille avec la broche de détente sur l'enclume, et poussez la douille dans l'enclume de l'outil jusqu'à ce qu'elle se verrouille en place. Tapez légèrement dessus si nécessaire.  
Pour déposer la douille, sortez-la simplement en tirant.

## Crochet

### ATTENTION :

Après avoir installé le crochet, assurez-vous qu'il est fermement vissé. (Fig. 6)

L'outil est équipé d'un crochet pratique qui permet de le suspendre temporairement.

Il s'installe d'un côté comme de l'autre de l'outil.

Pour installer le crochet, insérez-le dans une rainure du carter de l'outil d'un côté ou de l'autre puis serrez-le avec une vis.

Pour le retirer, desserrez la vis et enlevez-le.

## UTILISATION

### ATTENTION :

- Insérez toujours la batterie bien à fond, jusqu'à ce qu'elle se verrouille en place. Si vous pouvez voir la partie rouge sur la face supérieure du bouton, la batterie n'est pas parfaitement verrouillée.  
Insérez-la à fond, jusqu'à ce que la partie rouge ne soit plus visible. Dans le cas contraire, la batterie risque de tomber accidentellement de l'outil et de vous blesser ou de blesser une personne se trouvant près de vous.  
Tenez l'outil fermement et placez la douille sur le boulon ou l'écrou. Mettez l'outil en marche et appliquez le temps de serrage adéquat. (Fig. 7)

Le couple de serrage à appliquer peut varier suivant le type ou le format de boulon, le matériau de la pièce à serrer, etc. La relation entre le couple et le temps de serrage est indiquée sur les illustrations. (Fig. 8 et 9)

### REMARQUE :

- Tenez l'outil pointé bien droit vers le boulon ou l'écrou.
- L'application d'un couple de serrage excessif peut endommager le boulon, l'écrou ou la douille. Avant de commencer votre travail, effectuez un test pour connaître le temps de serrage qui convient au boulon ou à l'écrou.
- Si l'outil a fonctionné de façon continue jusqu'à ce que la batterie soit épuisée, laissez-le reposer pendant

15 minutes avant de poursuivre avec une batterie fraîche.

Le couple de serrage est affecté par un grand nombre de facteurs, dont les suivants. Après le serrage, vérifiez toujours le torque avec une clé dynamométrique.

1. Lorsque la batterie est presque complètement déchargée, la tension baisse et cela réduit le couple de serrage.
2. Douille
  - Le couple de serrage sera réduit si vous n'utilisez pas une douille du bon format.
  - Le couple de serrage sera réduit si vous utilisez une douille usée (usure du carré ou de l'hexagone conducteur).
3. Boulon
  - Pour un même coefficient de couple et une même classe de boulon, le couple de serrage adéquat varie suivant le diamètre du boulon.
  - Même avec des boulons de diamètre identique, le couple de serrage adéquat varie sur une plage de suivant le coefficient de couple, la classe du boulon et la longueur du boulon.
4. L'utilisation de l'adaptateur cardan ou de la rallonge réduit parfois la force de serrage de la clé à chocs. Compensez en appliquant le serrage plus longtemps.
5. Le couple est affecté par la façon dont l'outil est tenu ou par le matériau à serrer.
6. Le fonctionnement de l'outil à une vitesse lente entraînera une réduction du couple de serrage.

## MAINTENANCE

### ATTENTION :

- Assurez-vous toujours que l'outil est hors tension et que la batterie est retirée avant d'y effectuer tout travail d'inspection ou d'entretien.

## Remplacement des charbons (Fig. 10)

Retirez et vérifiez les charbons régulièrement.

Remplacez-les lorsqu'ils atteignent le repère d'usure. Gardez les charbons propres et assurez-vous qu'ils glissent librement dans les porte-charbons.

Les deux charbons doivent être remplacés en même temps. Utilisez uniquement des charbons identiques. Retirez les bouchons de porte-charbon à l'aide d'un tournevis.

Enlevez les charbons usés, insérez les neufs et remettez en place les bouchons de porte-charbon. (Fig. 11)

Pour assurer la SÉCURITÉ et la FIABILITÉ du produit, toute réparation et tout travail d'entretien ou de réglage doivent être effectués par un Centre de service après-vente agréé Makita, avec des pièces de rechange Makita.

## ACCESSOIRES

### ATTENTION :

- Ces accessoires ou pièces complémentaires sont recommandés pour l'utilisation avec l'outil Makita spécifié dans ce manuel. L'utilisation de tout autre accessoire ou pièce complémentaire comporte un risque de blessures. Utilisez uniquement l'accessoire ou la pièce complémentaire dans le but spécifié.  
Pour obtenir plus de détails sur ces accessoires, contactez un Centre de service après-vente local Makita.

- Douilles
- Rallonge
- Adaptateur cardan
- Adaptateur d'embout
- Batterie et chargeur Makita authentiques

La documentation technique est disponible auprès de  
notre représentant en Europe qui est :

Makita International Europe Ltd.,  
Michigan, Drive, Tongwell,  
Milton Keynes, MK15 8JD, Angleterre

30 janvier 2009



Tomoyasu Kato  
Directeur

Makita Corporation  
3-11-8, Sumiyoshi-cho,  
Anjo, Aichi, JAPAN

**Pour les pays européens uniquement**

**Bruit** ENG102-3

Les niveaux de bruit pondéré A typiques ont été mesurés  
selon la norme EN60745 :

Niveau de pression sonore ( $L_{pA}$ ) : 94 dB (A)  
Niveau de puissance sonore ( $L_{WA}$ ) : 105 dB (A)  
Incertitude (K) : 3 dB (A)

**Portez des protections auditives.**

**Vibration** ENG205-2

La valeur totale de vibration (somme du vecteur triaxial)  
déterminée selon la norme EN60745 :

Mode de fonctionnement : serrage avec chocs de  
boulons ou d'écrous à la capacité maximale de l'outil  
Émission des vibrations ( $a_h$ ) : 19 m/s<sup>2</sup>  
Incertitude (K) : 1,5 m/s<sup>2</sup>

ENG901-1

- La valeur de l'émission des vibrations déclarée a été  
mesurée conformément à la méthode de test standard  
et peut être utilisée afin de comparer des outils entre  
eux.
- La valeur de l'émission des vibrations déclarée peut  
également être utilisée lors d'une évaluation  
préliminaire de l'exposition.

**⚠ AVERTISSEMENT :**

- Selon la manière dont l'outil est utilisé, il est possible  
que l'émission des vibrations pendant l'utilisation réelle  
de l'outil électrique diffère de la valeur de l'émission  
déclarée.
- Veuillez à identifier les mesures de sécurité destinées à  
protéger l'opérateur et établies en fonction de  
l'estimation de l'exposition dans les conditions réelles  
d'utilisation (en prenant en compte toutes les étapes du  
cycle de fonctionnement, telles que les périodes de  
mise hors tension de l'outil, les périodes de  
fonctionnement au ralenti et les périodes de mise en  
route).

**Pour les pays européens uniquement** ENH101-13

**Déclaration de conformité CE**

**Nous, Makita Corporation, en tant que fabricant  
responsable, déclarons que les machines Makita  
suivantes :**

Nom de la machine : Clé à chocs sans fil  
N° de modèle/ Type : BTW450  
sont fabriqués en série et

**sont conformes aux directives européennes  
suivantes :**

98/37/CE jusqu'au 28 décembre 2009 puis, à partir  
du 29 décembre 2009, à la 2006/42/CE

et sont produites conformément aux normes ou  
documents de normalisation suivants :

EN60745

# DEUTSCH (Originalanweisungen)

## Erklärung der Gesamtdarstellung

- |                     |                            |                                    |
|---------------------|----------------------------|------------------------------------|
| 1. Roter Bereich    | 9. O-Ring                  | 17. Anzugszeit (s)                 |
| 2. Taste            | 10. Stift                  | 18. Bolzen mit hohem Abschermoment |
| 3. Akkublock        | 11. Rille                  | 19. Grenzmarkierung                |
| 4. Auslöseschaltung | 12. Schraube               | 20. Bürstenhalterkappe             |
| 5. Lampe            | 13. Einhängeclip           | 21. Schraubendreher                |
| 6. Lampenschalter   | 14. Standard-Bolzen        |                                    |
| 7. Steckersatz      | 15. Anzugsmoment           |                                    |
| 8. Amboss           | 16. Richtiges Anzugsmoment |                                    |

## TECHNISCHE ANGABEN

Modell		BTW450
Kapazität	Standardbolzen	M12 - M22
	Bolzen mit hohem Abschermoment	M12 - M16
Vierkantaufsatz		12,7 mm
Leerlaufgeschwindigkeit (min <sup>-1</sup> )		1.600
Schläge pro Minute		2.200
Max. Anzugsdrehmoment		440 N.m
Gesamtlänge		266 mm
Nettogewicht		3,4 kg
Nennspannung		18 V Gleichstrom

- Aufgrund des technischen Fortschritts können die hier wiedergegebenen Angaben ohne Vorankündigung geändert werden.
- Die technischen Angaben können sich je nach Land unterscheiden.
- Gewicht, mit Akkublock, ermittelt gemäß EPTA-Verfahren 01/2003

**Verwendungszweck** ENE036-1  
Das Werkzeug wurde für das Anziehen von Bolzen und Muttern entwickelt.

## Allgemeine Sicherheitshinweise für Elektrowerkzeuge

GEA010-1

**⚠ WARNUNG** Lesen Sie alle Sicherheitshinweise und Anweisungen sorgfältig durch. Wenn die Hinweise und Anweisungen nicht beachtet werden, besteht die Gefahr eines Stromschlags, Brands und/oder das Risiko von ernsthaften Verletzungen.

**Bewahren Sie alle Hinweise und Anweisungen zur späteren Referenz gut auf.**

## SICHERHEITSHINWEISE FÜR AKKU-SCHLAGSCHRAUBER

GEB049-2

1. **Halten Sie das Werkzeug an den isolierten Griffflächen, wenn Sie unter Bedingungen arbeiten, bei denen das Werkzeug versteckte Kabel berühren kann.** Bei Kontakt des Schraubers mit einem Strom führenden Kabel wird der Strom an die Metallteile des Elektrowerkzeugs und dadurch an den Bediener weitergeleitet, und der Bediener erleidet einen Stromschlag.

2. **Tragen Sie Gehörschutz.**
3. **Überprüfen Sie den Steckersatz vor dessen Anbringung sorgfältig auf Abnutzung, Risse oder sonstige Beschädigungen.**
4. **Halten Sie das Werkzeug mit festem Griff.**
5. **Achten Sie jederzeit auf einen festen Stand. Achten Sie darauf, dass sich niemand unter Ihnen befindet, wenn Sie das Werkzeug an erhöhten Orten verwenden.**
6. **Das richtige Anzugsdrehmoment kann je nach Art und Größe des Bolzens variieren. Prüfen Sie das Drehmoment mit einem Drehmomentschlüssel.**

**BEWAHREN SIE DIESE ANWEISUNGEN SORGFÄLTIG AUF.**

### WARNUNG:

Lassen Sie sich NIE durch Bequemlichkeit oder (aus fortwährendem Gebrauch gewonnener) Vertrautheit mit dem Werkzeug dazu verleiten, die Sicherheitsregeln für das Werkzeug zu missachten. Bei **MISSBRÄUCLICHER** Verwendung des Werkzeugs oder Missachtung der in diesem Handbuch enthaltenen Sicherheitshinweise kann es zu schweren Verletzungen kommen.

# WICHTIGE SICHERHEITSREGELN

ENC007-4

## FÜR AKKUBLOCK

1. Lesen Sie vor der Verwendung des Akkublocks alle Anweisungen und Sicherheitshinweise für (1) das Akkuladegerät, (2) den Akku und (3) das Produkt, für das der Akku verwendet wird.
2. Der Akkublock darf nicht zerlegt werden.
3. Falls die Betriebsdauer erheblich kürzer wird, beenden Sie den Betrieb umgehend. Andernfalls besteht die Gefahr einer Überhitzung sowie das Risiko möglicher Verbrennungen und sogar einer Explosion.
4. Wenn Elektrolyt in Ihre Augen gerät, waschen Sie diese mit klarem Wasser aus, und suchen Sie sofort einen Arzt auf. Andernfalls können Sie Ihre Sehfähigkeit verlieren.
5. Vermeiden Sie einen Kurzschluss des Akkublocks:
  - (1) Die Kontakte dürfen nicht mit leitendem Material in Berührung kommen.
  - (2) Der Akkublock darf nicht in einem Behälter aufbewahrt werden, in dem sich andere metallischen Gegenstände wie beispielsweise Nägel, Münzen usw. befinden.
  - (3) Der Akkublock darf weder Feuchtigkeit noch Regen ausgesetzt werden. Ein Kurzschluss des Akkus kann zu hohem Kriechstrom, Überhitzung, möglichen Verbrennungen und sogar zu einer Zerstörung des Geräts führen.
6. Werkzeug und Akkublock dürfen nicht an Orten aufbewahrt werden, an denen die Temperatur 50°C (122°F) oder höher erreichen kann.
7. Selbst wenn der Akkublock schwer beschädigt oder völlig verbraucht ist, darf er nicht angezündet werden. Der Akkublock kann in den Flammen explodieren.
8. Lassen Sie den Akku nicht fallen, und vermeiden Sie Schläge gegen den Akku.
9. Verwenden Sie heruntergefallene Akkus oder Akkus, die Stößen ausgesetzt waren, nicht mehr.

## BEWAHREN SIE DIESE ANWEISUNGEN SORGFÄLTIG AUF.

Tipps für den Erhalt der maximalen Akku-Nutzungsdauer

1. Laden Sie den Akkublock auf, bevor er ganz entladen ist. Beenden Sie stets den Betrieb des Werkzeugs, und laden Sie den Akkublock auf, sobald Sie eine verringerte Werkzeugleistung bemerken.
2. Ein voll aufgeladener Akkublock darf niemals erneut geladen werden. Durch Überladungen wird die Lebensdauer des Akkus verkürzt.
3. Laden Sie den Akkublock bei einer Zimmertemperatur von 10°C - 40°C (50°F - 104°F) auf. Lassen Sie einen heißen Akkublock vor dem Aufladen abkühlen.

# FUNKTIONSBESCHREIBUNG

## ACHTUNG:

- Schalten Sie das Werkzeug stets aus und entfernen Sie den Akkublock, bevor Sie Einstellungen oder eine Funktionsprüfung des Werkzeugs vornehmen.

## Montage und Demontage des Akkublocks (Abb. 1)

- Schalten Sie das Werkzeug stets aus, bevor Sie den Akkublock einsetzen oder entfernen.
- Zur Entfernung des Akkublocks müssen Sie diesen aus dem Gerät herausziehen, während Sie die Taste auf der Vorderseite des Blocks schieben.
- Zum Einsetzen des Akkublocks müssen Sie die Zunge des Akkublocks an der Rille im Gehäuse ausrichten und in die gewünschte Position schieben. Setzen Sie den Block immer ganz ein, bis er mit einem Klick einrastet. Wenn Sie den roten Bereich oben auf der Taste sehen können, ist der Block nicht ganz eingerastet. Setzen Sie ihn ganz ein, bis der rote Bereich nicht mehr zu sehen ist. Andernfalls kann der Block versehentlich aus dem Werkzeug fallen und Sie oder Personen in Ihrem Umfeld verletzen.
- Wenden Sie beim Einsetzen des Akkublocks keine Gewalt an. Wenn der Block nicht leicht hineingleitet, wird er nicht richtig eingesetzt.

## Bedienung des Schalters (Abb. 2)

### ACHTUNG:

- Achten Sie vor dem Einsetzen des Akkublocks in das Werkzeug darauf, dass sich der Ein/Aus-Schalter korrekt bedienen lässt und beim Loslassen in die Position „OFF“ (AUS) zurückkehrt.
- Ändern Sie die Drehrichtung erst, wenn das Werkzeug ganz angehalten wurde. Wenn die Drehrichtung vor dem Stillstand des Werkzeugs geändert wird, kann das Werkzeug beschädigt werden.

Der Schalter ist umkehrbar und bietet eine Drehung entweder im oder gegen den Uhrzeigersinn. Um das Werkzeug einzuschalten, ziehen Sie einfach den unteren Teil (A) des Auslöseschalters für eine Drehung im Uhrzeigersinn bzw. den oberen Teil (B) für eine Drehung gegen den Uhrzeigersinn. Lassen Sie zum Ausschalten des Werkzeugs den Auslöseschalter los.

## Einschalten der Frontlampe (Abb. 3)

### ACHTUNG:

- Schauen Sie nicht direkt in das Licht oder in die Lichtquelle.

Drücken Sie den Schalter der Lampe oben, um die Lampe einzuschalten, und unten, um sie auszuschalten.

### HINWEIS:

- Wischen Sie Schmutz auf der Lampenlinse mit einem trockenen Tuch ab. Achten Sie darauf, die Lampenlinse nicht zu zerkratzen, da dies die Beleuchtungsstärke mindern kann.
- Die Lampe ist mit einem stromsparenden Schaltkreis ausgestattet. Wenn die Lampe nicht leuchtet, obwohl sie eingeschaltet ist, ist wahrscheinlich der Akku leer. Laden Sie den Akku auf.
- Wenn Sie keine Beleuchtung benötigen, stellen Sie den Schalter der Lampe in die Position „OFF“ (Aus).

# MONTAGE

## ACHTUNG:

- Schalten Sie das Werkzeug stets aus, und entfernen Sie den Akkublock, bevor Sie Arbeiten am Werkzeug ausführen.

## Auswahl des richtigen Steckesatzes

Benutzen Sie für Bolzen und Muttern immer den Steckesatz mit der richtigen Größe. Ein Steckesatz mit der falschen Größe führt zu falschem und unbeständigem Anzugsdrehmoment und/oder zu Beschädigungen an Bolzen und Muttern.

## Montage und Demontage des Steckesatzes (Abb. 4)

1. Für Steckesatz ohne O-Ring und Stift  
Um den Steckesatz anzubringen, drücken Sie ihn auf den Amboss des Werkzeugs, bis er einrastet. Um den Steckesatz zu entfernen, ziehen Sie ihn einfach heraus.
2. Für Steckesatz mit O-Ring und Stift (**Abb. 5**)  
Bewegen Sie den O-Ring aus der Rille im Steckesatz, und entfernen Sie den Stift aus dem Steckesatz. Fügen Sie den Steckesatz so auf dem Amboss des Werkzeugs auf, dass das Loch im Einsatz am Loch im Amboss ausgerichtet ist. Führen Sie den Stift durch die Löcher in Steckesatz und Amboss.  
Bringen Sie den O-Ring wieder in die Ausgangsposition in der Rille im Steckesatz, um den Stift zu sichern. Zum Entnehmen des Steckesatzes befolgen Sie die Einbauprozedur rückwärts.

Richten Sie das Loch auf der Seite des Steckesatzes am Arretierstift auf dem Amboss aus, und drücken Sie ihn auf den Amboss des Werkzeugs, bis er einrastet. Klopfen Sie gegebenenfalls leicht dagegen.  
Um den Steckesatz zu entfernen, ziehen Sie ihn einfach heraus.

## Einhängeclip

### ACHTUNG:

Achten Sie sich nach der Anbringung des Eihängeclips darauf, dass er gut festgeschraubt ist. (**Abb. 6**)  
Der Eihängeclip ist nützlich, wenn Sie das Werkzeug vorübergehend aufhängen möchten.  
Er kann an jeder Seite des Werkzeugs befestigt werden. Setzen Sie den Eihängeclip zur Montage in eine Rille am Werkzeugehäuse (die Seite ist beliebig), und befestigen Sie diesen mit einer Schraube.  
Zur Entfernung müssen Sie nur die Schraube lockern und den Eihängeclip herausnehmen.

## BETRIEB

### ACHTUNG:

- Schieben Sie den Akkublock stets vollständig ein, bis er einrastet. Wenn Sie den roten Bereich oben auf der Taste sehen können, ist der Block nicht ganz eingerastet.  
Setzen Sie ihn ganz ein, bis der rote Bereich nicht mehr zu sehen ist. Andernfalls kann der Block versehentlich aus dem Werkzeug fallen und Sie oder Personen in Ihrem Umfeld verletzen.

Halten Sie das Werkzeug fest, und setzen Sie den Steckesatz auf den Bolzen oder die Mutter. Schalten Sie das Werkzeug ein, und nehmen Sie die Befestigung mit der richtigen Anzugszeit vor. (**Abb. 7**)

Das richtige Anzugsdrehmoment kann je nach Art und Größe des Bolzens, des Materials des zu befestigenden Werkstücks usw. abweichen. Das Verhältnis zwischen Anzugsdrehmoment und -zeit wird in den Abbildungen gezeigt. (**Abb. 8 und 9**)

### HINWEIS:

- Halten Sie das Werkzeug gerade auf den Bolzen bzw. die Mutter ausgerichtet.
- Ein zu starkes Anzugsdrehmoment kann Bolzen, Muttern und Steckesätze beschädigen. Führen Sie vor Beginn der Arbeiten immer einen Test durch, um das richtige Drehmoment für den Bolzen oder die Mutter zu bestimmen.
- Wenn das Werkzeug bis zur vollständigen Entladung des Akkublocks betrieben wurde, lassen Sie es 15 Minuten liegen, bevor Sie mit einem neuen Akkublock fortfahren.

Das Anzugsdrehmoment wird durch eine Vielzahl von Faktoren beeinflusst, einschließlich der folgenden. Prüfen Sie nach dem Anziehen immer das Drehmoment mit einem Drehmomentschlüssel.

1. Wenn der Akkublock fast vollständig entladen ist, fällt die Spannung ab, und das Anzugsdrehmoment verringert sich.
2. Steckesatz
  - Wird ein Steckesatz mit falscher Größe verwendet, so wird das Anzugsdrehmoment verringert.
  - Ein abgenutzter Steckesatz (Abnutzung am Sechskant- oder dem viereckigen Ende) verringert das Anzugsdrehmoment.
3. Bolzen
  - Obwohl der Drehmomentkoeffizient und die Klasse des Bolzens die gleichen sind, hängt das richtige Anzugsdrehmoment vom Durchmesser des Bolzens ab.
  - Obwohl die Durchmesser der Bolzen die gleichen sind, hängt das richtige Anzugsdrehmoment vom Drehmomentkoeffizient und von Klasse und Länge des Bolzens ab.
4. Die Verwendung der Universalverbindung oder der Verlängerungsstange reduziert das Anzugsdrehmoment des Schlagschraubers ein wenig. Kompensieren Sie dies, indem Sie die Anzugszeit verlängern.
5. Die Art und Weise, wie Sie das Werkzeug halten, und das Material der Schraubposition beeinflussen das Drehmoment.
6. Der Betrieb des Werkzeugs mit einer niedrigeren Drehzahl führt zu einer Verringerung des Anzugsmoments.

## WARTUNG

### ACHTUNG:

- Schalten Sie das Werkzeug stets aus und entfernen Sie den Akkublock, bevor Sie Inspektionen oder Wartungsarbeiten am Werkzeug vornehmen.

## Ersetzen der Kohlebürsten (Abb. 10)

Entfernen und überprüfen Sie die Kohlebürsten in regelmäßigen Abständen.

Ersetzen Sie diese, wenn sie bis zur Verschleißgrenze abgenutzt sind. Halten Sie die Kohlebürsten sauber und sorgen Sie dafür, dass sie locker in den Halterungen liegen.

Beide Kohlebürsten sollten gleichzeitig ersetzt werden.

Verwenden Sie nur identische Kohlebürsten.

Verwenden Sie einen Schraubendreher, um die Bürstenhalterkappen zu entfernen.

Entnehmen Sie die verbrauchten Kohlebürsten, legen Sie die neuen ein, und bringen Sie die Bürstenhalterkappen wieder fest an. (Abb. 11)

Um die SICHERHEIT und ZUVERLÄSSIGKEIT des Produkts zu gewährleisten, sollten Reparaturen, Wartungsarbeiten und Einstellungen nur durch von Makita autorisierte Servicecenter durchgeführt und immer Makita-Ersatzteile verwendet werden.

## ZUBEHÖR

### ⚠ ACHTUNG:

- Die folgenden Zubehör- und Zusatzteile werden für das in diesem Handbuch beschriebene Makita-Werkzeug empfohlen. Die Verwendung anderer Zubehör- und Zusatzteile kann zu Verletzungen führen. Verwenden Sie Zubehör- und Zusatzteile nur für den vorgesehenen Zweck.

Informationen zu diesem Zubehör erhalten Sie bei einem Makita-Servicecenter in Ihrer Nähe.

- Steckeinsätze
- Verlängerungsstange
- Universalverbindung
- Einsatzadapter
- Originalakku und Ladegerät von Makita

### Nur für europäische Länder

#### Lärm ENG102-3

Typischer A-bewerteter Lärmpegel nach EN60745:

Schalldruckpegel ( $L_{pA}$ ): 94 dB (A)

Schallleistungspegel ( $L_{WA}$ ): 105 dB (A)

Abweichung (K): 3 dB (A)

#### Tragen Sie Gehörschutz.

#### Schwingung ENG205-2

Schwingungsgesamtwerte (Vektorsumme dreier Achsen) nach EN60745:

Arbeitsmodus: Schlagbefestigen des Schraubers bei maximaler Leistung des Werkzeugs

Schwingungsbelastung ( $a_h$ ): 19 m/s<sup>2</sup>

Abweichung (K): 1,5 m/s<sup>2</sup>

ENG901-1

- Der hier angegebene Wert für die erzeugten Schwingungen wurde gemäß dem genormten Testverfahren ermittelt und kann als Vergleich zu anderen Werkzeugen herangezogen werden.
- Der angegebene Wert für die erzeugten Schwingungen ist außerdem für eine vorbeugende Bewertung der Belastung zu verwenden.

### ⚠ WARNUNG:

- Die Schwingungsbelastung kann bei tatsächlichem Gebrauch des Elektrowerkzeugs in Abhängigkeit von

der Handhabung des Elektrowerkzeugs von dem hier aufgeführten Wert abweichen.

- Stellen Sie sicher, dass Schutzmaßnahmen für den Bediener getroffen werden, die auf den unter den tatsächlichen Arbeitsbedingungen zu erwartenden Belastungen beruhen (beziehen Sie alle Bestandteile des Arbeitsablaufs ein, also zusätzlich zu den Arbeitszeiten auch Zeiten, in denen das Werkzeug ausgeschaltet ist oder ohne Last läuft).

### Nur für europäische Länder

ENH101-13

#### EU-Konformitätserklärung

**Wir, Makita Corporation als verantwortlicher Hersteller, erklären, dass die folgenden Geräte der Marke Makita:**

Bezeichnung des Geräts: Akku-Schlagschrauber

Nummer / Typ des Modells: BTW450

in Serienfertigung hergestellt werden und

**den folgenden Richtlinien der Europäischen Union genügen:**

98/37/EC bis 28. Dezember 2009 und 2006/42/EC ab dem 29. Dezember 2009

Außerdem werden die Geräte gemäß den folgenden Standards oder Normen gefertigt:

EN60745

Die technische Dokumentation erfolgt durch unseren Bevollmächtigten in Europa:

Makita International Europe Ltd.,

Michigan, Drive, Tongwell,

Milton Keynes, MK15 8JD, England

30. Januar 2009



Tomoyasu Kato  
Direktor

Makita Corporation  
3-11-8, Sumiyoshi-cho,  
Anjo, Aichi, JAPAN

## ITALIANO (Istruzioni originali)

### Spiegazione della vista generale

- |                               |                      |                                  |
|-------------------------------|----------------------|----------------------------------|
| 1. Area rossa                 | 8. Incudine          | 15. Coppia di serraggio          |
| 2. Pulsante                   | 9. Anello di tenuta  | 16. Coppia di serraggio corretta |
| 3. Batteria                   | 10. Perno            | 17. Tempo di serraggio (S)       |
| 4. Interruttore               | 11. Scanalatura      | 18. Bullone altamente tensile    |
| 5. Lampada                    | 12. Vite             | 19. Indicatore di limite         |
| 6. Interruttore della lampada | 13. Gancio           | 20. Coperchio portaspazzola      |
| 7. Boccola                    | 14. Bullone standard | 21. Cacciavite                   |

## CARATTERISTICHE TECNICHE

Modello		BTW450
Capacità di foratura	Bullone standard	M12 - M22
	Bullone altamente tensile	M12 - M16
Attacco quadrato		12,7 mm
Velocità a vuoto (min <sup>-1</sup> )		1.600
Impulsi al minuto		2.200
Coppia di serraggio max.		440 N.m
Lunghezza totale		266 mm
Peso netto		3,4 kg
Tensione nominale		18 V CC

- Le caratteristiche tecniche riportate di seguito sono soggette a modifiche senza preavviso in virtù del nostro programma continuo di ricerca e sviluppo.
- Le caratteristiche tecniche possono differire da paese a paese.
- Peso, comprensivo di batterie, calcolato in base alla Procedura EPTA 01/2003

### Uso previsto

ENE036-1

L'utensile è concepito per bulloni e dadi di serraggio.

## Avvertenze generali di sicurezza per l'uso dell'utensile

GEA010-1

**⚠ AVVERTENZA** Leggere attentamente tutte le avvertenze di sicurezza e le istruzioni. La mancata osservanza delle istruzioni e delle avvertenze riportate di seguito potrebbe provocare scosse elettriche, incendi e/o lesioni gravi.

## Conservare le avvertenze e le istruzioni per riferimenti futuri.

## AVVERTENZE DI SICUREZZA PER LA CHIAVE A MASSA BATTENTE A BATTERIA

GEB049-2

1. Se vengono eseguite operazioni in cui il dispositivo di fissaggio può toccare fili nascosti, impugnare l'utensile con i punti di presa isolati. Se il dispositivo di fissaggio entra a contatto con un filo percorso da corrente, le parti metalliche esposte dell'utensile si troveranno anch'esse sotto tensione e potrebbero provocare scosse elettriche all'operatore.
2. Indossare protezioni acustiche.
3. Prima dell'installazione, verificare lo stato della boccola, accertandosi che non sia consumata e non vi siano crepe o danni.
4. Tenere l'utensile in modo saldo.

### 5. Accertarsi sempre di avere un equilibrio stabile.

**Controllare che nessuno si trovi sotto all'utensile quando lo si utilizza in posizioni elevate.**

### 6. La coppia di serraggio corretta potrebbe differire in base al tipo o alla dimensione del bullone.

**Controllare la coppia con una chiave torsiometrica.**

## CONSERVARE QUESTE ISTRUZIONI.

### AVVERTENZA:

**NON lasciare che la familiarità acquisita con il prodotto (dovuta all'uso ripetuto) provochi l'inosservanza delle regole di sicurezza per il presente utensile. L'USO IMPROPRIO o la mancata osservanza delle norme di sicurezza contenute in questo manuale può provocare lesioni personali gravi.**

## ISTRUZIONI IMPORTANTI PER LA SICUREZZA

ENC007-4

## RELATIVE ALLA BATTERIA

1. Prima di utilizzare la batteria, leggere tutte le istruzioni e gli avvisi di sicurezza relativi a (1) caricabatteria, (2) batteria e (3) prodotto utilizzato con la batteria.
2. Non disassemblare la batteria.
3. Se il tempo di funzionamento è diventato eccessivamente breve, non utilizzare l'utensile.



Potrebbero verificarsi surriscaldamenti, ustioni o esplosioni.

4. **In caso di contatto dell'elettrolita della batteria con gli occhi, sciacquare con acqua fresca e rivolgersi immediatamente a un medico. Potrebbero verificarsi danni permanenti alla funzionalità visiva.**
5. **Non cortocircuitare la batteria.**
  - (1) **Non toccare i terminali della batteria con materiale in grado di condurre elettricità.**
  - (2) **Evitare di conservare le batterie a contatto con oggetti metallici quali chiodi, monete e così via.**
  - (3) **Non esporre le batterie all'acqua o alla pioggia. Un cortocircuito può provocare un elevato flusso di corrente, surriscaldamento, ustioni o rotture.**
6. **Non conservare l'utensile e la batteria a una temperatura superiore a 50°C (122°F).**
7. **Evitare di smaltire le batterie danneggiate o esaurite bruciandole. Se esposte al fuoco, le batterie possono esplodere.**
8. **Evitare di far cadere o di colpire la batteria.**
9. **Non utilizzare la batteria se è caduta o ha urtato contro altri oggetti.**

## CONSERVARE QUESTE ISTRUZIONI.

**Suggerimenti per il prolungamento della durata della batteria**

1. **Caricare le batterie prima di scaricarle completamente. Se si nota una diminuzione di potenza dell'utensile, interrompere il lavoro e caricare la batteria.**
2. **Non ricaricare una batteria già completamente carica. In caso contrario, la durata operativa della batteria potrebbe ridursi.**
3. **Caricare la batteria in ambienti con temperatura compresa tra 10°C e 40°C (50°F - 104°F). Prima di caricare una batteria surriscaldata, lasciarla raffreddare.**

## DESCRIZIONE FUNZIONALE

**ATTENZIONE:**

- Accertarsi sempre che l'utensile sia spento e che la batteria sia stata rimossa prima di regolare o controllare le funzioni dell'utensile.

### Installazione o rimozione della batteria (Fig. 1)

- Prima di installare o rimuovere la batteria, spegnere sempre l'utensile.
- Per rimuovere la batteria, estrarla dall'utensile facendo scorrere il pulsante sulla parte frontale della batteria.
- Per inserire la batteria, allineare la linguetta sulla batteria con la scanalatura dell'alloggiamento e farla scorrere fino a raggiungere la posizione corretta. Inserire sempre la batteria fino a quando si blocca in posizione con uno scatto. Se l'area rossa del lato superiore del pulsante è ancora visibile, la batteria non è completamente inserita. Inserire la batteria fino a quando l'area rossa non è più visibile. In caso contrario

la batteria può fuoriuscire accidentalmente e provocare lesioni all'operatore o a eventuali osservatori.

- Non applicare una forza eccessiva per inserire la batteria. Se la batteria non scorre agevolmente, la manovra di inserimento non è corretta.

### Azionamento dell'interruttore (Fig. 2)

**ATTENZIONE:**

- Prima di inserire la batteria nell'utensile, controllare se l'interruttore funziona correttamente e ritorna alla posizione "SPENTO" una volta rilasciato.
- Modificare la direzione di rotazione solo quando l'utensile è completamente fermo. Modificando la direzione prima che l'utensile sia fermo potrebbe danneggiarlo.

L'interruttore è reversibile, permettendo la rotazione sia in senso orario sia in senso antiorario. Per avviare l'utensile, è sufficiente premere la parte inferiore (A) dell'interruttore se si desidera una rotazione in senso orario o la parte superiore (B) se si desidera una rotazione in senso antiorario. Per spegnere l'utensile, rilasciare l'interruttore.

### Accensione delle lampada frontale (Fig. 3)

**ATTENZIONE:**

- Non osservare direttamente la luce o la fonte luminosa. Premere la parte superiore dell'interruttore della lampada per accendere la luce e la parte inferiore per spegnerla.

**NOTA:**

- Utilizzare un panno asciutto per pulire la lente della lampadina. Fare attenzione a non graffiare la lente della lampadina per evitare riduzioni dell'intensità luminosa.
- La lampada è provvista di un circuito di prevenzione di scaricamento eccessivo. Quando la lampada non si accende anche dopo che l'interruttore della luce è nella posizione "ACCESO", è probabile che la batteria abbia un abbassamento di potenza. Provare a ricaricare la batteria.
- Quando la luce non è necessaria, mantenere l'interruttore della lampada nella posizione "SPENTO".

## MONTAGGIO

**ATTENZIONE:**

- Prima di eseguire qualsiasi operazione sull'utensile, verificare sempre di averlo spento e di aver rimosso la batteria.

### Scelta della boccola corretta

Utilizzare sempre la boccola della corretta dimensione per bulloni e dadi. La dimensione sbagliata della boccola farà risultare imprecisa e inconsistente la coppia di serraggio e/o danneggerà il bullone o il dado.

### Installazione o rimozione della boccola (Fig. 4)

1. **Boccola priva di anello di tenuta e perno**  
Per installare la boccola, premerla contro l'incudine dell'utensile fino a quando non si blocca in posizione. Per rimuovere la boccola, è sufficiente toglierla.
2. **Boccola priva di anello di tenuta e perno (Fig. 5)**  
Rimuovere l'anello di tenuta dalla scanalatura della boccola e rimuovere il perno dalla stessa. Inserire la

boccola nell'incudine dell'utensile in modo che il foro della boccola sia allineato con il foro dell'incudine. Inserire il perno attraverso il foro della boccola e dell'incudine. Quindi rimettere l'anello di tenuta nella posizione originale nella scanalatura della boccola per trattenere il perno. Per rimuovere la boccola, attenersi alle procedure di installazione procedendo in senso inverso.

Allineare il foro sul lato della boccola con il dente di fissaggio fissato sull'incudine e premerlo sull'incudine dell'utensile fino a quando non si blocca in posizione. Se necessario, sistemare con colpi leggeri. Per rimuovere la boccola, è sufficiente toglierla.

## Gancio

### ATTENZIONE:

Dopo l'installazione del gancio, assicurarsi che sia avvitato saldamente. (Fig. 6)

Il gancio è utile per appendere temporaneamente l'utensile.

Può essere installato su entrambi i lati dell'utensile. Per installare il gancio, inserirlo in una delle scanalature presenti su ambo i lati dell'alloggiamento dell'utensile e fissarlo con una vite.

Per rimuovere il gancio, allentare la vite ed estrarlo.

## USO

### ATTENZIONE:

- Inserire completamente la batteria, fino a quando si blocca in posizione. Se l'area rossa del lato superiore del pulsante è ancora visibile, la batteria non è completamente inserita. Inserire la batteria fino a quando l'area rossa non è più visibile. In caso contrario la batteria può fuoriuscire accidentalmente e provocare lesioni all'operatore o a eventuali osservatori.

Impugnare l'utensile in modo saldo e collocare la boccola sul bullone o sul dado. Accendere l'utensile e fissare per il tempo di serraggio corretto. (Fig. 7)

La coppia di serraggio corretta potrebbe differire in base al tipo o alla dimensione del bullone, al materiale del pezzo di lavorazione da fissare, ecc. La relazione tra coppia di serraggio e tempo di serraggio è illustrata nelle figure. (Fig. 8 e 9)

### NOTA:

- Tenere l'utensile puntato diritto verso il bullone o la vite.
- Una coppia di serraggio eccessiva potrebbe danneggiare il bullone/dado o la boccola. Prima di iniziare il lavoro, eseguire sempre un controllo per determinare il tempo di serraggio corretto per il bullone o per il dado.
- Se si utilizza continuamente l'utensile fino al completo scaricamento della batteria, attendere 15 minuti prima di continuare a utilizzarlo con una nuova batteria.

La coppia di serraggio è influenzata da vari fattori, tra cui quelli indicati di seguito. Dopo il serraggio, controllare sempre la coppia con una chiave torsiometrica.

1. Quando la batteria è quasi completamente scarica, la tensione scende e la coppia di serraggio si riduce.
2. Boccola

- Il non utilizzo della boccola della corretta dimensione provocherà una riduzione della coppia di serraggio.
  - Una boccola consumata (usura dell'estremità esagonale o quadrata) può provocare una riduzione della coppia di serraggio.
3. Bullone
    - Anche se il coefficiente di coppia e la classe del bullone sono uguali, la coppia di serraggio corretta differisce secondo il diametro del bullone.
    - Anche se i diametri dei bulloni sono uguali, la coppia di serraggio corretta differisce di secondo il coefficiente di coppia, la classe e la lunghezza del bullone.
  4. L'utilizzo del giunto universale o della barra di estensione riduce un po' la forza di serraggio dell'avvitatrice ad impulsi. Compensare con il serraggio per un periodo di tempo più lungo.
  5. La coppia è influenzata anche dal modo in cui si tiene l'utensile, dalla posizione di avvitatura o dal materiale da fissare.
  6. L'uso dell'utensile a bassa velocità causa una riduzione della coppia di serraggio.

## MANUTENZIONE

### ATTENZIONE:

- Prima di effettuare controlli o operazioni di manutenzione, verificare sempre di aver spento l'utensile e di aver rimosso la batteria.

### Sostituzione delle spazzole di carbone (Fig. 10)

Rimuovere e controllare periodicamente le spazzole di carbone.

Sostituire le spazzole quando sono consumate fino all'indicatore di limite. Mantenere le spazzole di carbone pulite e libere per farle slittare nei supporti.

Entrambe le spazzole di carbone devono essere sostituite contemporaneamente. Utilizzare solo spazzole di carbone identiche.

Rimuovere i coperchi dei portaspazzola con un cacciavite. Estrarre le spazzole di carbone consumate, inserire le nuove spazzole e fissare i coperchi dei portaspazzola. (Fig. 11)

Per mantenere la SICUREZZA e l'AFFIDABILITÀ del prodotto, le riparazioni e qualsiasi altra operazione di manutenzione o regolazione devono essere eseguiti dai centri di assistenza autorizzati Makita utilizzando sempre parti di ricambio Makita.

## ACCESSORI

### ATTENZIONE:

- Si raccomanda di usare questi accessori per l'utensile Makita descritto in questo manuale. L'uso di qualsiasi altro accessorio potrebbe provocare lesioni personali. Utilizzare gli accessori esclusivamente per l'uso dichiarato.

Per l'assistenza e ulteriori informazioni su tali accessori, rivolgersi al centro di assistenza Makita più vicino.

- Boccole
- Barra di estensione
- Giunto universale

- Adattatore per punta
- Batteria e caricabatteria originali Makita

### Solo per i Paesi europei

#### Rumore ENG102-3

Il tipico livello di rumore ponderato "A" è determinato in conformità con la norma EN60745:

- Livello di pressione sonora ( $L_{pA}$ ): 94 dB (A)
- Livello di potenza sonora ( $L_{WA}$ ): 105 dB (A)
- Variazione (K): 3 dB (A)

#### Indossare una protezione acustica.

#### Vibrazione ENG205-2

Il valore totale della vibrazione (somma vettoriale triassiale) è determinato in conformità con la norma EN60745:

- Modalità di lavoro: serraggio ad impulsi di chiodi della capacità massima dell'utensile
- Emissione vibrazioni ( $a_{h1}$ ): 19  $m/s^2$
- Variazione (K): 1,5  $m/s^2$

ENG901-1

- Il valore di emissione delle vibrazioni dichiarato è stato misurato in conformità con il metodo di test standard e può essere utilizzato per confrontare tra loro diversi utensili.
- Il valore dell'emissione delle vibrazioni dichiarato può anche essere usato per stime preliminari dell'esposizione.

#### AVVERTENZA:

- L'emissione delle vibrazioni durante l'uso effettivo dell'utensile elettrico può risultare diversa rispetto al valore dichiarato, in base alla modalità d'uso dell'utensile.
- Assicurarsi di individuare le necessarie misure di sicurezza per proteggere l'operatore in base a una stima dell'esposizione nelle condizioni reali di utilizzo (prendendo in considerazione tutte le fasi del ciclo operativo, come quante volte l'utensile viene spento e i periodi in cui rimane inattivo, oltre al tempo di avviamento).

### Solo per i paesi europei ENH101-13

#### Dichiarazione di conformità CE

**Makita Corporation, in qualità di produttore responsabile, dichiara che gli utensili Makita indicati di seguito:**

Denominazione dell'utensile: Avvitatrice ad impulsi a batteria

N. modello /Tipo: BTW450

appartengono a una produzione in serie e

**sono conformi alle seguenti direttive europee:**

- 98/37/CE fino al 28 dicembre 2009 e
- successivamente alla direttiva 2006/42/CE a partire dal 29 dicembre 2009

Sono inoltre prodotti in conformità con gli standard o i documenti standardizzati riportati di seguito:

EN60745

La documentazione tecnica viene conservata dal rappresentante autorizzato Makita in Europa, ovvero:

Makita International Europe Ltd.,  
Michigan, Drive, Tongwell,  
Milton Keynes, MK15 8JD, Inghilterra

30 gennaio 2009



Tomoyasu Kato  
Direttore

Makita Corporation  
3-11-8, Sumiyoshi-cho,  
Anjo, Aichi, JAPAN

## NEDERLANDS (Originele instructies)

### Verklaring van algemene gegevens

1. Rode deel	8. Aambeeld	15. Draaikoppel
2. Knop	9. O-ring	16. Juiste draaikoppel
3. Accu	10. Pen	17. Draaitijd (sec)
4. Aan/uit-schakelaar	11. Groef	18. Bout met grote treksterkte
5. Lamp	12. Schroef	19. Slijtgrensmarkering
6. Lampschakelaar	13. Haak	20. Koolborsteldop
7. Dop	14. Standaardbout	21. Schroevendraaier

## TECHNISCHE GEGEVENS

Model		BTW450
Vermogen	Standaardbout	M12 - M22
	Bout met grote treksterkte	M12 - M16
Maat van aambeeld		12,7 mm
Nullasttoerental (min <sup>-1</sup> )		1.600
Slagen per minuut		2.200
Max. draaikoppel		440 N.m
Totale lengte		266 mm
Netto gewicht		3,4 kg
Nominale spanning		18 V DC

- Als gevolg van ons doorlopende onderzoeks- en ontwikkelingsprogramma, zijn de technische gegevens van dit gereedschap onderhevig aan veranderingen zonder voorafgaande kennisgeving.
- De technische gegevens kunnen van land tot land verschillen.
- Gewicht, inclusief de accu, volgens de EPTA-procedure 01/2003


### Gebruiksdoeleinden

ENE036-1

Het gereedschap is bedoeld voor het vastdraaien van bouten en moeren.

## Algemene veiligheidswaarschuwingen voor elektrisch gereedschap

GEA010-1

 **WAARSCHUWING** Lees alle veiligheidswaarschuwingen en alle instructies. Het niet volgen van de waarschuwingen en instructies kan leiden tot elektrische schokken, brand en/of ernstig letsel.

## Bewaar alle waarschuwingen en instructies om in de toekomst te kunnen raadplegen.

## VEILIGHEIDSWAARSCHUWINGEN SPECIFIEK VOOR EEN ACCUSLAGDOPSLEUTEL

GEB049-2

1. Houd het elektrisch gereedschap vast aan het geïsoleerde oppervlak van de handgrepen wanneer u werkt op plaatsen waar het bevestigingsmateriaal met verborgen bedrading in aanraking kan komen. Wanneer bevestigingsmaterialen in aanraking komen met onder spanning staande draden, zullen de niet-geïsoleerde metalen delen van het gereedschap onder spanning

komen te staan zodat de gebruiker een elektrische schok kan krijgen.

2. **Draag gehoorbescherming.**
3. **Controleer de dop zorgvuldig op slijtage, barsten of beschadiging vóórdat u deze op het gereedschap plaatst.**
4. **Houd het gereedschap stevig vast.**
5. **Zorg er altijd voor dat u stevig staat. Zorg ervoor dat er niemand zich onder u bevindt wanneer u het gereedschap op een hoge plaats gebruikt.**
6. **Het juiste draaikoppel kan verschillen afhankelijk van het type en de grootte van de bout. Controleer het draaikoppel met een momentsleutel.**

## BEWAAR DEZE INSTRUCTIES.

### WAARSCHUWING:

Laat u NIET misleiden door een vals gevoel van comfort en bekendheid met het gereedschap (na veelvuldig gebruik) en neem alle veiligheidsvoorschriften van het betreffende product altijd strikt in acht. **VERKEERD GEBRUIK** of het niet volgen van de veiligheidsinstructies in deze gebruiksaanwijzing kan leiden tot ernstig persoonlijk letsel.

# BELANGRIJKE VEILIGHEIDSLINSTRUCTIES

ENC007-4

## VOOR ACCU'S

1. Alvorens de accu in gebruik te nemen, leest u eerst alle instructies en waarschuwingsopdrachten op (1) de acculader, (2) de accu en (3) het apparaat waarin de accu wordt aangebracht.
2. Haal de accu niet uit elkaar.
3. Als de gebruiktijd aanzienlijk korter is geworden, stopt u onmiddellijk met het gebruik. Anders kan dit leiden tot kans op oververhitting, mogelijke brandwonden en zelfs een explosie.
4. Als de elektrolyt in uw ogen komt, wast u deze uit met schoon water en raadpleegt u onmiddellijk een arts. Dit kan leiden tot verlies van gezichtsvermogen.
5. Sluit de accu niet kort:
  - (1) Raak de accupolen niet aan met enig geleidend materiaal.
  - (2) Bewaar de accu niet op een plaats waar deze in aanraking kan komen met andere metalen voorwerpen, zoals spijkers, munten, enz.
  - (3) Stel de accu niet bloot aan water of regen. Kortsluiting van de accu kan leiden tot een hoge stroomsterkte, oververhitting, mogelijke brandwonden en zelfs een defect.
6. Bewaar het gereedschap en de accu niet op plaatsen waar de temperatuur kan oplopen tot 50°C of hoger.
7. Werp de accu niet in een vuur, zelfs niet als deze al ernstig beschadigd of helemaal versleten is. De accu kan in een vuur exploderen.
8. Wees voorzichtig dat u de accu niet laat vallen of ergens tegenaan stoot.
9. Gebruik een accu die is gevallen of gestoten niet meer.

## BEWAAR DEZE INSTRUCTIES.

Tips voor een lange levensduur van de accu

1. Laad de accu op voordat deze volledig leeg is. Wanneer u merkt dat het gereedschap minder vermogen heeft, stopt u met het gebruik ervan en laadt u eerst de accu op.
2. Laad nooit een volledig opgeladen accu op. Te lang opladen verkort de levensduur van de accu.
3. Laad de accu op bij een omgevingstemperatuur van 10°C t/m 40°C. Laat een warme accu eerst afkoelen voordat u deze oplaadt.

## BESCHRIJVING VAN DE FUNCTIES

LET OP:

- Zorg ervoor dat het gereedschap is uitgeschakeld en dat de accu is verwijderd voordat u de werking van het gereedschap aanpast of controleert.

## De accu aanbrengen en verwijderen (zie afb. 1)

- Schakel het gereedschap altijd uit voordat u de accu aanbrengt of verwijdert.
- Om de accu te verwijderen verschuift u de knop aan de voorkant van de accu en trekt u tegelijkertijd de accu uit het gereedschap.
- Om de accu aan te brengen lijnt u de lip op de accu uit met de groef in de behuizing en duwt u de accu op zijn plaats. Steek de accu zo ver mogelijk in het gereedschap tot u een klikgeluid hoort. Als u het rode deel aan de bovenkant van de knop kunt zien, is de accu niet goed aangebracht. Steek de accu zo ver mogelijk erin tot het rode deel niet meer zichtbaar is. Als u dit niet doet, kan de accu per ongeluk uit het gereedschap vallen en u of anderen in uw omgeving verwonden.
- Oefen geen grote kracht uit bij het aanbrengen van de accu. Als de accu niet gemakkelijk in het gereedschap kan worden gestoken, wordt deze niet goed aangebracht.

## Aan/uit-schakelaar (zie afb. 2)

LET OP:

- Controleer altijd, voordat u de accu in het gereedschap steekt, of de aan/uit-schakelaar op de juiste manier schakelt en weer terugkeert naar de uit-stand nadat deze is losgelaten.
- Verander de draairichting alleen nadat het gereedschap geheel tot stilstand is gekomen. Als u de draairichting verandert terwijl het gereedschap nog draait, kan het gereedschap beschadigd raken.

De schakelaar kan kantelen zodat u het gereedschap zowel linksom als rechtsom kan laten draaien. Om het gereedschap in te schakelen, knijpt u het onderste deel van de schakelaar (A) in voor rechtsom draaien, of het bovenste deel van de schakelaar (B) voor linksom draaien. Laat de aan/uit-schakelaar los om het gereedschap te stoppen.

## De lamp op de voorkant inschakelen (zie afb. 3)

LET OP:

- Kijk niet rechtstreeks in het licht of naar de bron van de lamp.

Duw op het bovenste deel van de lampschakelaar om de lamp in te schakelen, en op het onderste deel om de lamp uit te schakelen.

OPMERKING:

- Gebruik een doek om het vuil van de lens van de lamp te vegen. Wees voorzichtig de lens van de lamp niet te bekrassen om de lichtopbrengst niet te verlagen.
- De lamp is uitgerust met een snelontladingspreventiecircuits. Als de lamp niet aangaat nadat u de lampschakelaar hebt bediend, is waarschijnlijk de accu bijna leeg. Laad de accu op.
- Laat de lampschakelaar in de uit-stand staan wanneer u geen verlichting nodig hebt.

# ONDERDELEN AANBRENGEN/ VERWIJDEREN

## LET OP:

- Controleer altijd of het gereedschap is uitgeschakeld en de accu is verwijderd alvorens enige werkzaamheden aan het gereedschap te verrichten.

## De juiste dop kiezen

Gebruik altijd de juiste maat dop voor de bouten en moeren. Als een onjuiste maat dop wordt gebruikt, zal een onnauwkeurig en variërend draaikoppel en/of beschadiging van de bout of moer optreden.

## De dop aanbrengen en verwijderen (zie afb. 4)

1. Voor een dop zonder O-ring en pen  
Om de dop aan te brengen, duwt u deze op het aambeeld van het gereedschap tot deze op zijn plaats wordt vergrendeld.  
Om de dop te verwijderen, trekt u deze er eenvoudigweg af.
2. Voor een dop met O-ring en pen (zie afb. 5)  
Haal de O-ring uit de groef in de dop en verwijder de pen uit de dop. Plaats de dop op het aambeeld van het gereedschap zodanig dat het gaatje in de dop is uitgelijnd met het gaatje in het aambeeld. Steek de pen door het gaatje in de dop en het aambeeld. Plaats vervolgens de O-ring terug op zijn oorspronkelijke plaats in de groef van de dop om de pen op zijn plaats te houden. Om de dop te verwijderen, volgt u de procedure in omgekeerde volgorde.

Lijn het gaatje in de zijkant van de dop uit met de pen op het aambeeld van het gereedschap en duw de dop op het aambeeld van het gereedschap tot deze op zijn plaats wordt vergrendeld. Tik er zo nodig voorzichtig op.  
Om de dop te verwijderen, trekt u deze er eenvoudigweg af.

## Haak

### LET OP:

Nadat u de haak hebt aangebracht, controleert u dat deze stevig is vastgeschroefd (zie afb. 6).  
De haak is handig om het gereedschap tijdelijk aan op te hangen.  
De haak kan aan beide kanten van het gereedschap worden bevestigd.  
U bevestigt de haak door deze in een groef in de behuizing van het gereedschap te steken en vast te zetten met een schroef.  
Om de haak te verwijderen, draait u de schroef los en haalt u de haak van het gereedschap af.

## BEDIENING

### LET OP:

- Steek de accu altijd zo ver mogelijk in het gereedschap totdat deze met een klik wordt vergrendeld. Als u het rode deel aan de bovenkant van de knop kunt zien, is de accu niet goed aangebracht.  
Steek de accu zo ver mogelijk erin tot het rode deel niet meer zichtbaar is. Als u dit niet doet, kan de accu per

ongeluk uit het gereedschap vallen en u of anderen in uw omgeving verwonden.

Houd het gereedschap stevig vast en plaats de dop over de bout of moer. Schakel het gereedschap in en draai de bout of moer vast gedurende de juiste draaitijd (zie afb. 7).

Het juiste draaikoppel kan verschillen afhankelijk van het soort en de grootte van de bout, het materiaal van het werkstuk waarin wordt gedraaid, enz. De relatie tussen het draaikoppel en de draaitijd wordt aangegeven in de afbeeldingen (zie afb. 8 en 9).

### OPMERKING:

- Houd het gereedschap recht op de bout of moer.
- Een buitensporig hoog draaikoppel kan de bout of moer en/of dop beschadigen. Voordat u de werkzaamheden begint, voert u altijd een testbediening uit om de juiste draaitijd voor de bout of moer te bepalen.
- Als het gereedschap continu wordt bediend totdat de accu leeg is, laat u het gereedschap gedurende 15 minuten liggen alvorens verder te werken met een volle accu.

Het draaikoppel wordt beïnvloed door een groot aantal factoren, waaronder de onderstaande. Controleer na het bevestigen altijd het draaikoppel met een momentsleutel.

1. Wanneer de accu bijna helemaal leeg is, zal de spanning afnemen en het draaikoppel lager worden.
2. Dop
  - Als een onjuiste maat dop wordt gebruikt, zal het draaikoppel lager worden.
  - Als een versleten dop (slijtage van het zeskante of vierkante uiteinde) wordt gebruikt, zal het draaikoppel lager worden.
3. Bout
  - Ondanks dat de koppelcoëfficiënt en de boutklasse hetzelfde zijn, zal het juiste draaikoppel verschillen afhankelijk van de diameter van de bout.
  - Ondanks dat de diameter van de bouten hetzelfde is, zal het juiste draaikoppel verschillen afhankelijk van de koppelcoëfficiënt, de boutklasse en de boutlengte.
4. Het gebruik van een universele haakse overbrenging of een verlengstuk verlaagt het draaikoppel van de slagsleutel enigszins. Compenseer hiervoor door een iets langere draaitijd te gebruiken.
5. De manier waarop het gereedschap wordt vastgehouden en het materiaal van de plaats waarin wordt geschroefd zijn van invloed op het draaikoppel.
6. Als het gereedschap op een laag toerental wordt gebruikt, zal het draaikoppel lager worden.

## ONDERHOUD

### LET OP:

- Zorg er altijd voor dat de machine is uitgeschakeld en de accu is verwijderd, voordat u een inspectie of onderhoud uitvoert.

## De koolborstels vervangen (zie afb. 10)

Verwijder en controleer de koolborstels regelmatig. Vervang deze wanneer ze tot aan de slijtgrensmarkering zijn afgesleten. Houd de koolborstels schoon en zorg ervoor dat ze vrij kunnen bewegen in de houders.

Beide koolborstels dienen tegelijkertijd te worden vervangen. Gebruik alleen identieke koolborstels. Gebruik een schroevendraaier om de koolborsteldoppen te verwijderen.

Haal de versleten koolborstels eruit, plaats de nieuwe erin, en zet de koolborsteldoppen goed vast (**Zie afb. 11**). Om de VEILIGHEID en BETROUWBAARHEID van het gereedschap te handhaven, dienen alle reparaties, onderhoud en afstellingen te worden uitgevoerd door een erkend Makita-servicecentrum, en altijd met gebruikmaking van originele Makita-ervangingsonderdelen.

## ACCESSOIRES

### LET OP:

- Deze accessoires of hulpstukken worden aanbevolen voor gebruik met het Makita-gereedschap dat in deze gebruiksaanwijzing wordt beschreven. Het gebruik van andere accessoires of hulpstukken kan gevaar voor persoonlijk letsel opleveren. Gebruik de accessoires of hulpstukken uitsluitend voor de aangegeven gebruiksdoeleinden.

Mocht u meer informatie willen hebben over deze accessoires, dan kunt u contact opnemen met uw plaatselijke Makita-servicecentrum.

- Doppen
- Verlengstuk
- Universele haakse overbrenging
- Bitadapter
- Originele Makita accu en lader

### Alleen voor Europese landen

**Geluid** ENG102-3  
Het standaard A-gewogen geluidsniveau zoals vastgesteld conform EN60745:

Geluidsdrukniveau ( $L_{pA}$ ): 94 dB (A)  
Geluidsvermogeniveau ( $L_{WA}$ ): 105 dB (A)  
Onzekerheid (K): 3 dB (A)

#### Draag gehoorbescherming.

**Trilling** ENG205-2

De totale trilwaarde (triaxiale vectorsom) zoals vastgesteld volgens EN60745:

Gebruikstoepassing: bevestigen met behulp van slagwerking van bevestigingsmiddelen tot de maximale capaciteit van het gereedschap  
Trillingsemmissie ( $a_h$ ): 19  $m/s^2$   
Onzekerheid (K): 1,5  $m/s^2$

ENG901-1

- De opgegeven trillingsemmissiewaarde is gemeten volgens de standaardtestmethode en kan worden gebruikt om dit gereedschap te vergelijken met andere gereedschappen.
- De opgegeven trillingsemmissiewaarde kan ook worden gebruikt voor een beoordeling vooraf van de blootstelling.

### WAARSCHUWING:

- De trillingsemmissie tijdens het gebruik van het elektrisch gereedschap in de praktijk kan verschillen van de opgegeven trillingsemmissiewaarde afhankelijk van de manier waarop het gereedschap wordt gebruikt.
- Zorg ervoor dat veiligheidsmaatregelen worden getroffen ter bescherming van de operator die zijn

gebaseerd op een schatting van de blootstelling onder praktijkomstandigheden (rekening houdend met alle fasen van de bedrijfscyclus, zoals de tijdsduur gedurende welke het gereedschap is uitgeschakeld en stationair draait, naast de ingeschakelde tijdsduur).

### Alleen voor Europese landen EU-verklaring van conformiteit

ENH101-13

### Wij, Makita Corporation, als de verantwoordelijke fabrikant, verklaren dat de volgende Makita-machine(s):

Aanduiding van de machine: Accuslagdopsleutel  
Modelnr./Type: BTW450

in serie zijn geproduceerd en

### Voldoen aan de volgende Europese richtlijnen:

98/37/EC tot en met 28 december 2009 en daarna  
aan 2006/42/EC vanaf 29 december 2009

En zijn gefabriceerd in overeenstemming met de volgende normen of genormaliseerde documenten:  
EN60745

De technische documentatie wordt bewaard door onze erkende vertegenwoordiger in Europa, te weten:

Makita International Europe Ltd.,  
Michigan Drive, Tongwell,  
Milton Keynes, MK15 8JD, Engeland

30 januari 2009



Tomoyasu Kato  
Directeur

Makita Corporation  
3-11-8, Sumiyoshi-cho,  
Anjo, Aichi, JAPAN

# ESPAÑOL (Instrucciones originales)

## Descripción y visión general

- |                              |                    |                              |
|------------------------------|--------------------|------------------------------|
| 1. Parte roja                | 8. Yunque          | 15. Par de apriete           |
| 2. Botón                     | 9. Junta tórica    | 16. Par de apriete real      |
| 3. Cartucho de la batería    | 10. Pasador        | 17. Tiempo de apriete (S)    |
| 4. Interruptor disparador    | 11. Canal de guía  | 18. Perno de alta tensión    |
| 5. Lámpara                   | 12. Tornillo       | 19. Marca de límite          |
| 6. Interruptor de la lámpara | 13. Gancho         | 20. Tapa del portaescobillas |
| 7. Vaso                      | 14. Perno estándar | 21. Destornillador           |

## ESPECIFICACIONES

Modelo		BTW450
Capacidades	Perno estándar	M12 - M22
	Perno de alta tensión	M12 - M16
Adaptador cuadrado		12,7 mm
Velocidad en vacío (mín <sup>-1</sup> )		1.600
Impactos por minuto		2.200
Par de apriete máx.		440 N.m
Longitud total		266 mm
Peso neto		3,4 kg
Tensión nominal		18 V CC

- Debido a nuestro programa continuo de investigación y desarrollo, las especificaciones aquí descritas están sujetas a cambios sin previo aviso.
- Las especificaciones pueden ser diferentes de un país a otro.
- Peso, con el cartucho de la batería, de acuerdo con el procedimiento EPTA 01/2003

### Uso previsto

ENE036-1

La herramienta ha sido diseñada para atornillar pernos y tuercas.

## Advertencias de seguridad generales para herramientas eléctricas

GEA010-1

**⚠ ADVERTENCIA** Lea todas las advertencias de seguridad y todas las instrucciones. La no observancia de las advertencias y las instrucciones puede provocar descargas eléctricas, incendios y/o lesiones graves.

## Guarde todas las advertencias e instrucciones para futuras consultas.

## ADVERTENCIAS DE SEGURIDAD PARA LA LLAVE DE IMPACTO A BATERÍA

GEB049-2

1. **Sujete la herramienta por las superficies de agarre aisladas al realizar una operación en que la herramienta pueda entrar en contacto con cables ocultos.** Si entra en contacto con un cable con corriente, puede que las piezas metálicas expuestas de la herramienta eléctrica se carguen también de corriente y que el operario reciba una descarga.
2. **Utilice protectores para los oídos.**

3. **Antes de su instalación, compruebe que el vaso no esté agrietado ni dañado.**

4. **Sujete con fuerza la herramienta.**

5. **Colóquese siempre en una posición bien equilibrada.** Si utiliza la herramienta en una ubicación elevada, asegúrese de que nadie se encuentre debajo.

6. **El par de apriete real puede variar en función del tipo o del tamaño del perno.** Compruebe el par de apriete con una llave de torsión.

## GUARDE ESTAS INSTRUCCIONES.

### ADVERTENCIA:

No deje que la comodidad o la familiaridad con el producto (a base de utilizarlo repetidamente) sustituya la estricta observancia de las normas de seguridad del producto en cuestión. El MAL USO o la no observancia de las normas de seguridad expuestas en este manual de instrucciones pueden ocasionar graves daños corporales.

## INSTRUCCIONES DE SEGURIDAD IMPORTANTES

ENC007-4

## PARA EL CARTUCHO DE LA BATERÍA

1. **Antes de utilizar el cartucho de la batería, lea todas las instrucciones y referencias de**



- precaución que se encuentran en (1) el cargador de baterías, (2) la batería y (3) el producto que utiliza la batería.
2. **No desmonte el cartucho de la batería.**
  3. **Si el tiempo de funcionamiento es excesivamente corto, deje de utilizar la herramienta de inmediato. De lo contrario, existe el riesgo de sobrecalentamiento, quemaduras e incluso explosión.**
  4. **Si se produce contacto ocular con electrolito, enjuáguese los ojos con agua limpia y acuda de urgencia al médico. Corre el riesgo de perder la visión.**
  5. **No cortocircuite el cartucho de la batería:**
    - (1) **No toque los terminales con material conductor.**
    - (2) **Evite guardar el cartucho de la batería en un recipiente con otros objetos metálicos, como clavos, monedas, etc.**
    - (3) **No exponga el cartucho de la batería al agua o a la lluvia. Un cortocircuito puede provocar un elevado flujo de corriente, sobrecalentamiento, quemaduras o incluso una avería.**
  6. **No almacene la herramienta ni el cartucho de la batería en lugares donde la temperatura supere los 50°C (122°F).**
  7. **No queme el cartucho de la batería aunque esté gravemente dañado o completamente gastado. El cartucho de la batería puede explotar si entra en contacto con fuego.**
  8. **Procure que la batería no sufra golpes ni caídas.**
  9. **No utilice baterías que hayan sufrido golpes o caídas.**

## GUARDE ESTAS INSTRUCCIONES.

Consejos para conseguir una mayor duración de la batería

1. **Cargue la batería antes de que se descargue por completo. Deje de utilizar siempre la herramienta y cargue el cartucho de la batería cuando observe que tiene menos potencia.**
2. **No recargue nunca un cartucho de batería completamente cargado. La sobrecarga acorta la vida útil de la batería.**
3. **Cargue el cartucho de la batería a una temperatura ambiente que oscile entre 10°C y 40°C (50°F - 104°F). Antes de cargar un cartucho de batería caliente, deje que se enfríe.**

## DESCRIPCIÓN DEL FUNCIONAMIENTO

### PRECAUCIÓN:

- Antes de ajustar o de comprobar la herramienta, asegúrese siempre de que está apagada y de que la batería ha sido extraída.

### Instalación o extracción del cartucho de la batería (Fig. 1)

- Apague siempre la herramienta antes de instalar o extraer el cartucho de la batería.

- Para extraer el cartucho de la batería, quítelo de la herramienta al mismo tiempo que desliza el botón situado en la parte frontal del cartucho.
- Para insertar el cartucho de la batería, alinee la lengüeta situada en el cartucho de la batería con la ranura del alojamiento e insértela. Insértelo completamente hasta que quede firmemente sujeto y se bloquee con un clic. Si puede ver la parte roja de la zona superior del botón, significa que el cartucho no está completamente bloqueado. Insértelo completamente hasta que la parte roja quede oculta. De lo contrario, el cartucho puede desprenderse accidentalmente de la herramienta y causar lesiones al operario o a alguna persona que se encuentre cerca.
- No haga fuerza al insertar el cartucho de la batería. Si no se inserta suavemente, significa que no lo está instalando correctamente.

### Funcionamiento del interruptor (Fig. 2)

#### PRECAUCIÓN:

- Antes de insertar el cartucho de la batería en la herramienta, asegúrese siempre de que el interruptor disparador funciona como es debido y que vuelve a la posición "OFF" (apagado) al soltarlo.
- Cambie la dirección de giro sólo cuando la herramienta se haya detenido por completo. Si la cambia antes de que se detenga la herramienta, puede dañarla.

El interruptor es reversible y proporciona un giro en el sentido de las agujas del reloj o en el sentido contrario a las agujas del reloj. Para poner en marcha la herramienta sólo tiene que tirar de la parte inferior (A) del interruptor disparador para el giro en el sentido de las agujas del reloj o de la parte superior (B) para el sentido en las agujas del reloj. Suelta el interruptor disparador para detener la herramienta.

### Encendido de la luz frontal (Fig. 3)

#### PRECAUCIÓN:

- No mire hacia la luz ni mire directamente hacia la fuente de luz.

Empuje la posición superior del interruptor de la lámpara para encender la luz y la posición inferior para apagarla.

#### NOTA:

- Utilice un paño seco para limpiar la suciedad del cristal de la lámpara. Procure no rayar el cristal de la lámpara, puesto que puede disminuir el grado de iluminación.
- La luz incorpora con un circuito contra descargas excesivas. Si la lámpara no se enciende aunque el interruptor de la luz esté encendido, probablemente se debe a una carga baja de la batería. Intente cargar el cartucho de la batería.
- Mantenga el interruptor de la lámpara en la posición "off" mientras no necesite la luz.

## MONTAJE

### PRECAUCIÓN:

- Asegúrese siempre de apagar la herramienta y extraer el cartucho de la batería antes de intentar realizar cualquier tipo de operación en la herramienta.

## Selección del vaso correcto

Utilice siempre el tamaño de vaso correcto para los pernos y las tuercas. Un tamaño de vaso incorrecto tendrá como resultado un par de apriete impreciso e inconsistente y/o dañará el perno o la tuerca.

## Instalación o extracción del vaso (Fig. 4)

1. Para vaso sin junta tórica ni pasador  
Para instalar el vaso, empújelo contra el yunque de la herramienta hasta que quede firmemente sujeto.  
Para extraer el vaso, sólo tiene que tirar de él.
2. Para el vaso con junta tórica y pasador (Fig. 5)  
Saque la junta tórica de la ranura del vaso y retire el pasador del vaso. Ajuste el vaso sobre el yunque de la herramienta de forma que el orificio del vaso esté alineado con el orificio del yunque. Inserte el pasador a través del orificio del vaso y el yunque.  
A continuación, devuelva la junta tórica a la posición original en la ranura del vaso para retener el pasador.  
Para extraer el vaso, siga los procedimientos de instalación en orden inverso.

Alinee el orificio del lateral del vaso con el pasador de retención y empújelo hasta que encaje perfectamente. Golpéelo suavemente si es necesario.

Para extraer el vaso, sólo tiene que tirar de él.

## Gancho

### PRECAUCIÓN:

Tras instalar el gancho asegúrese de que esté firmemente atornillado. (Fig. 6)

El gancho es útil para colgar la herramienta.

Puede instalarse en cualquier lado de la herramienta.

Para instalar el gancho, insértelo en una de las ranuras situadas a ambos lados de la herramienta y, a continuación, fíjelo con un tornillo.

Para extraerlo, afloje el tornillo y quítelo.

## MANEJO

### PRECAUCIÓN:

- Inserte siempre el cartucho de la batería hasta que quede completamente sujeto. Si puede ver la parte roja de la zona superior del botón, significa que el cartucho no está completamente bloqueado.  
Insértelo completamente hasta que la parte roja quede oculta. De lo contrario, el cartucho puede desprenderse accidentalmente de la herramienta y causar lesiones al operario o a alguna persona que se encuentre cerca.

Sujete la herramienta firmemente y coloque el vaso sobre el perno o la tuerca. Encienda la herramienta y apriete durante el tiempo de apriete real. (Fig. 7)

El par de apriete real puede variar dependiendo del tipo o tamaño del perno, del material de la pieza de trabajo que se debe apretar, etc. La relación entre el par de apriete y el tiempo de apriete se muestra en las figuras. (Fig. 8 y 9)

### NOTA:

- Sujete la herramienta apuntándola en línea recta al perno o la tuerca.
- Un par de apriete excesivo puede dañar el perno/la tuerca o el vaso. Antes de iniciar el trabajo, realice siempre una operación de prueba para determinar el tiempo de apriete correcto para el perno o la tuerca.

- Si la herramienta se utiliza continuamente hasta que el cartucho de la batería se descarga, deje reposar la herramienta durante 15 minutos antes de continuar con un cartucho de batería cargado.

El par de apriete se ve afectado por una amplia variedad de factores, incluyendo los siguientes. Tras el apriete, compruebe siempre el par de apriete con una llave dinamométrica.

1. Cuando el cartucho de la batería esté descargado casi completamente, la tensión caerá y el par de apriete se reducirá.
2. Vaso
  - Si no utiliza el tamaño de vaso correcto se producirá una reducción del par de apriete.
  - Un vaso desgastado (desgaste en el extremo de la llave hexagonal o en el extremo del adaptador cuadrado) provocará una reducción del par de apriete.
3. Perno
  - Aunque el coeficiente del par de apriete y la clase del perno sean los mismos, el par de apriete real variará dependiendo del diámetro del perno.
  - Aunque los diámetros de los pernos sean los mismos, el par de apriete real variará dependiendo del coeficiente de apriete, de la clase de perno y de la longitud del perno.
4. El uso de una junta universal o de una barra de extensión reduce en cierta medida la fuerza de apriete de la llave de impacto. Compense esta reducción apretando durante más tiempo.
5. La forma de sujetar la herramienta o la posición del material que se va a apretar afectará al par de torsión.
6. El uso de la herramienta a baja velocidad causará una reducción del par de apriete.

## MANTENIMIENTO

### PRECAUCIÓN:

- Asegúrese de apagar siempre la herramienta y extraer el cartucho de la batería antes de intentar realizar cualquier trabajo de inspección o mantenimiento en ella.

## Reemplazo de las escobillas de carbón (Fig. 10)

Extraiga y compruebe las escobillas de carbón regularmente.

Reemplácelas cuando se gasten hasta la marca de límite. Mantenga las escobillas de carbón limpias y de forma que entren libremente en los portaescobillas.

Ambas escobillas de carbón deberán ser reemplazadas al mismo tiempo. Utilice únicamente escobillas de carbón idénticas.

Utilice un destornillador para extraer las tapas de los portaescobillas.

Saque las escobillas de carbón desgastadas, inserte las nuevas y cierre las tapas de los portaescobillas. (Fig. 11) Para conservar la SEGURIDAD y la FIABILIDAD del producto, los trabajos de reparación y otros trabajos de mantenimiento y ajuste deberán ser realizados en centros de servicio autorizados de Makita, utilizando siempre repuestos Makita.

# ACCESORIOS

## PRECAUCIÓN:

- Se recomienda el uso de estos accesorios o complementos con la herramienta Makita especificada en este manual. El uso de otros accesorios o complementos puede conllevar el riesgo de ocasionar daños corporales. Utilice los accesorios o complementos solamente para su fin establecido.

Si necesita cualquier ayuda para obtener más información relativa a estos accesorios, pregunte al centro de servicio Makita local.

- Vasos
- Barra de extensión
- Junta universal
- Adaptador de puntas
- Batería y cargador originales de Makita

## Sólo para los países europeos

### Ruido ENG102-3

Nivel de ruido típico de ponderación A establecido según EN60745:

Nivel de presión de sonido ( $L_{pA}$ ): 94 dB (A)

Nivel de potencia de sonido ( $L_{WA}$ ): 105 dB (A)

Incertidumbre (K): 3 dB (A)

### Utilice protección para los oídos.

### Vibración ENG205-2

Valor total de vibración (suma de vectores triaxiales) establecido según EN60745:

Modo de trabajo: apriete por impacto de tornillos de la máxima capacidad de la herramienta

Emisión de vibraciones ( $a_{hv}$ ): 19 m/s<sup>2</sup>

Incertidumbre (K): 1,5 m/s<sup>2</sup>

ENG901-1

- El valor de emisión de vibraciones se ha medido de acuerdo con el método de prueba estándar y se puede utilizar para comparar herramientas.
- El valor de emisión de vibraciones declarado también se puede usar en una evaluación preliminar de la exposición.

## ADVERTENCIA:

- La emisión de vibraciones durante el uso de la herramienta eléctrica puede diferir del valor de emisiones declarado, dependiendo de las formas en que se utiliza la herramienta.
- Asegúrese de identificar las mediciones correctas para proteger al operario, que se basan en una estimación de la exposición en condiciones de uso reales (teniendo en cuenta todas las partes del ciclo de operaciones, como los momentos en los que la herramienta está apagada y cuando funciona al ralentí además del tiempo en que está activado el interruptor).

## Sólo para los países europeos

### Declaración de conformidad de la CE ENH101-13

**Nosotros, Makita Corporation, en calidad de fabricante responsable, declaramos que las siguientes máquinas Makita:**

Designación de la máquina: Llave de impacto a batería

Nº de modelo/ Tipo: BTW450

son de producción en serie y

## Cumplen con las siguientes Directivas europeas:

98/37/EC hasta el 28 de diciembre de 2009 y después con 2006/42/EC desde el 29 de diciembre de 2009

Y se han fabricado de acuerdo con los siguientes estándares o documentos estandarizados:

EN60745

La documentación técnica la conserva nuestro representante autorizado en Europa, que es:

Makita International Europe Ltd.,  
Michigan, Drive, Tongwell,  
Milton Keynes, MK15 8JD, Inglaterra

30 de enero de 2009



Tomoyasu Kato  
Director

Makita Corporation  
3-11-8, Sumiyoshi-cho,  
Anjo, Aichi, JAPAN

# PORTUGUÊS (Instruções de origem)

## Descrição geral

- |                           |                     |                                 |
|---------------------------|---------------------|---------------------------------|
| 1. Peça vermelha          | 8. Encabadouro      | 15. Força de aperto             |
| 2. Botão                  | 9. Junta circular   | 16. Força de aperto adequada    |
| 3. Bateria                | 10. Pino            | 17. Tempo de aperto (S)         |
| 4. Gatilho                | 11. Ranhura         | 18. Parafuso de elevada tracção |
| 5. Lâmpada                | 12. Parafuso        | 19. Marca limite                |
| 6. Interruptor da lâmpada | 13. Gancho          | 20. Tampa do porta-escovas      |
| 7. Encaixe                | 14. Parafuso padrão | 21. Chave de parafusos          |

## ESPECIFICAÇÕES

Modelo		BTW450
Capacidades	Parafuso padrão	M12 - M22
	Parafuso de elevada tracção	M12 - M16
Chave quadrada		12,7 mm
Sem velocidade de rotação em carga (mín. <sup>-1</sup> )		1.600
Impactos por minuto		2.200
Força de aperto máxima		440 N.m
Comprimento total		266 mm
Peso líquido		3,4 kg
Voltagem nominal		D.C.18 V

- Devido à pesquisa e desenvolvimento constantes, estas especificações estão sujeitas a alteração sem aviso prévio.
- Estas especificações podem diferir de país para país.
- Peso, com a bateria, de acordo com o procedimento EPTA de 01/2003.

**Utilização prevista** ENE036-1  
A ferramenta destina-se a apertar parafusos e porcas.

## Avisos gerais de segurança para ferramentas eléctricas

GEA010-1

**⚠ AVISO** Leia todos os avisos de segurança e todas as instruções. O não cumprimento dos avisos e instruções pode resultar na ocorrência de choques eléctricos, incêndios e/ou ferimentos graves.

## Guarde todos os avisos e instruções para referência futura.

## AVISOS DE SEGURANÇA PARA A APARAFUSADORA SEM FIOS

GEB049-2

1. Quando executar operações em que a aparafusadora possa entrar em contacto com fios eléctricos ocultos, tenha o cuidado de tocar apenas nas superfícies isoladas da máquina. As máquinas de aperto que entrem em contacto com um fio eléctrico ligado à corrente podem expor as partes metálicas e causar um choque.
2. Use protecção para os ouvidos.
3. Verifique cuidadosamente se o encaixe está desgastado ou se apresenta fissuras ou danos, antes de utilizar.
4. Segure bem na ferramenta.
5. Procure uma posição em pé estável e firme. Se utilizar a ferramenta em locais altos, verifique se não há ninguém por baixo.

6. A força de aperto adequada pode diferir consoante o tipo e o tamanho do parafuso. Verifique a força de aperto com uma chave dinamométrica.

## GUARDE ESTAS INSTRUÇÕES.

### AVISO:

NÃO deixe que o progressivo à vontade com o produto (resultante de uma utilização frequente) o faça esquecer o estrito cumprimento das regras de segurança de utilização do produto. A UTILIZAÇÃO INCORRECTA ou o não cumprimento das regras de segurança fornecidas neste manual de instruções podem provocar ferimentos graves.

## INSTRUÇÕES DE SEGURANÇA IMPORTANTES

ENC007-4

## RELATIVAS À BATERIA

1. Antes de utilizar a bateria leia as instruções e chamadas de atenção de: (1) o carregador da bateria, (2) a bateria e, (3) o produto que utiliza a bateria.
2. Não desmonte a bateria.
3. Se o tempo de utilização com bateria se tornar demasiado curto, deve parar imediatamente. Se continuar, pode causar sobreaquecimento, fogo e mesmo explosão.
4. Se o electrólito entrar em contacto com os olhos, enxágue-os com água limpa e consulte

imediatamente um médico. Os riscos incluem perda de visão.

5. Não provoque um curto-circuito na bateria:
  - (1) Não deixe que quaisquer materiais condutores entrem em contacto com os terminais da bateria.
  - (2) Evite guardar a bateria juntamente com outros objectos de metal como moedas, por exemplo.
  - (3) Não exponha a bateria a água ou chuva. Um curto-circuito na bateria pode criar uma grande carga eléctrica, sobreaquecimento, fogo e uma quebra da corrente.
6. Não guarde a ferramenta e a bateria em locais onde a temperatura possa atingir ou exceder 50°C (122°F).
7. Não incinere a bateria, nem mesmo que esta se tenha avariado irremediavelmente ou se tenha gasto completamente com o uso. Pode explodir e causar fogo.
8. Não a deixe cair e evite o choque com outros objectos.
9. Não utilize baterias que tenham caído ou sofrido choques.

## GUARDE ESTAS INSTRUÇÕES.

Dicas para o máximo de tempo de vida da bateria

1. Não espere que a bateria se gaste completamente para voltar a carregá-la. Pare a ferramenta e carregue a bateria sempre que detectar um baixo nível de energia.
2. Nunca volte a carregar uma bateria já completamente carregada. O carregamento excessivo diminui o tempo de vida das baterias.
3. Carregue a bateria em locais onde a temperatura se situe entre 10 °C e 40 °C. Se a bateria estiver quente, deixe-a arrefecer antes de iniciar o carregamento.

## DESCRIÇÃO DO FUNCIONAMENTO

### PRECAUÇÃO:

- Certifique-se sempre de que a ferramenta está desligada e a bateria foi removida antes de proceder a ajustamentos ou testar acessórios.

### Inserir ou retirar a bateria (Fig. 1)

- Sempre que for inserir ou retirar a bateria, desligue a ferramenta.
- Para retirar a bateria, puxe-a para fora ao mesmo tempo que desliza o botão localizado na parte frontal.
- Para inserir a bateria alinhe-a com a calha recolhida e encaixe-a suavemente. Insira-a completamente até sentir um clique de encaixe. Se ainda estiver visível a peça vermelha na parte superior do botão, não estará bem encaixada. Insira-a completamente, até deixar de ver a peça vermelha. Caso contrário, pode cair da ferramenta e causar ferimentos em si, ou em alguém que esteja perto de si.
- Não exerça força ao inserir a bateria. Se não encaixar facilmente é porque não está correctamente posicionada.

## O gatilho/interruptor (Fig. 2)

### PRECAUÇÃO:

- Antes de inserir a bateria na ferramenta, verifique se o gatilho está a funcionar correctamente e se regressa à posição "OFF" quando o solta.
- Mude a direcção de rotação apenas depois da ferramenta parar completamente. A mudança de direcção antes da ferramenta parar pode danificar a mesma.

O interruptor é reversível, podendo originar uma rotação no sentido dos ponteiros do relógio ou no sentido contrário aos ponteiros do relógio. Para pôr a ferramenta a funcionar, basta pressionar a parte inferior (A) do gatilho para rotação no sentido dos ponteiros do relógio ou a parte superior (B) para rotação no sentido contrário aos ponteiros do relógio. Para parar a ferramenta, solte o gatilho.

## A luz incorporada na ferramenta (Fig. 3)

### PRECAUÇÃO:

- Não olhe directamente para a luz da ferramenta. Coloque o interruptor da lâmpada para cima para ligar a luz e coloque-o para baixo para a desligar.

### NOTA:

- Para limpar a lâmpada, utilize um tecido seco. Tenha cuidado para não riscar a lente da lâmpada, pois poderia diminuir a intensidade da iluminação.
- A luz é fornecida com prevenção de circuito de descarga excessiva. Se a lâmpada não acender após a activação do interruptor, é provável que haja uma quebra de energia da bateria. Tente carregar a bateria.
- Mantenha o interruptor na posição "off" quando não está a precisar da luz.

## MONTAGEM

### PRECAUÇÃO:

- Certifique-se sempre de que a ferramenta está desligada e a bateria removida, antes de efectuar qualquer operação com acessórios.

### Escolher o encaixe correcto

Utilize sempre um encaixe com o tamanho correcto para os parafusos e porcas. Um encaixe de tamanho incorrecto irá resultar numa força de aperto pouco precisa e inconstante e/ou em danos no parafuso ou na porca.

### Instalar ou retirar o encaixe (Fig. 4)

1. Para um encaixe sem junta circular e pino  
Para instalar o encaixe, empurre-o na direcção do encabadouro até ficar fixo.  
Para retirar o encaixe, basta puxá-lo para fora.
2. Para um encaixe com junta circular e pino (Fig. 5)  
Retire a junta circular da ranhura do encaixe e retire também o pino do encaixe. Coloque o encaixe no encabadouro da ferramenta de forma a alinhar o orifício do encaixe com o orifício do encabadouro. Introduza o pino através do orifício do encaixe e do encabadouro.  
Em seguida, coloque a junta circular na sua posição original na ranhura do encaixe para segurar o pino.  
Para remover o encaixe, siga o procedimento inverso de instalação.

Alinhe o orifício na parte lateral do encaixe com o pino de retenção no encabadouro e empurre-o na direcção do encabadouro até ficar fixo. Dê algumas pancadas ligeiras, se necessário.

Para retirar o encaixe, basta puxá-lo para fora.

## Gancho

### PRECAUÇÃO:

Depois de instalar o gancho, certifique-se de que fica bem aparafusado. (Fig. 6)

O gancho é muito útil para pendurar a ferramenta quando necessário.

Pode ser instalado de qualquer dos lados.

Para instalar o gancho, insira-o numa das ranhuras do corpo da ferramenta, em qualquer dos lados e, em seguida, fixe-o com um parafuso.

Para o remover, basta desapertar o parafuso.

## FUNCIONAMENTO

### PRECAUÇÃO:

- Introduza sempre o cartucho da bateria até ao fundo, até que encaixe. Se ainda estiver visível a peça vermelha na parte superior do botão, não estará bem encaixada.

Insira-a completamente, até deixar de ver a peça vermelha. Caso contrário, pode cair da ferramenta e causar ferimentos em si, ou em alguém que esteja perto de si.

Segure bem a ferramenta e coloque o encaixe sobre o parafuso ou porca. Ligue a ferramenta e aperte durante o tempo de aperto adequado. (Fig. 7)

A força de aperto adequada pode diferir consoante o tipo e o tamanho do parafuso, o material da peça que vai apertar, etc. A relação entre a força de aperto e o tempo de aperto é mostrada nas figuras. (Fig. 8 e 9)

### NOTA:

- Segure a ferramenta apontada directamente ao parafuso ou à porca.
- Uma força de aperto excessiva pode danificar o parafuso/porca ou o encaixe. Antes de iniciar o trabalho, efectue sempre uma operação de teste para determinar o tempo de aperto adequado para o parafuso ou porca.
- Se mantiver a ferramenta a funcionar ininterruptamente até a bateria se gastar completamente, deixe-a em repouso durante 15 minutos antes de substituir a bateria.

A força de aperto é afectada por vários factores, incluindo os seguintes. Após apertar, verifique a força de aperto com uma chave dinamométrica.

1. Quando a bateria estiver quase descarregada por completo, a tensão diminuirá e a força de aperto será reduzida.
2. Encaixe
  - Se não usar um encaixe com o tamanho correcto, a força de aperto será diminuída.
  - Um encaixe gasto (desgaste na ponta hexagonal ou quadrada) irá provocar uma diminuição do binário de aperto.
3. Parafuso

- Apesar do coeficiente da força e a classe do parafuso serem iguais, a força de aperto adequada difere de acordo com o diâmetro do parafuso.
  - Apesar dos diâmetros dos parafusos serem iguais, a força de aperto adequada difere de acordo com o coeficiente da força, da classe do parafuso e do seu comprimento.
4. A utilização da junta universal ou da barra de extensão reduz de alguma forma a força de aperto da chave de impacto. Compense essa redução apertando durante um período de tempo mais prolongado.
  5. A forma de segurar a ferramenta ou o material a ser apertado afectam a força de aperto.
  6. Trabalhar com a ferramenta a baixa velocidade provoca uma redução na força de aperto.

## MANUTENÇÃO

### PRECAUÇÃO:

- Certifique-se sempre de que a ferramenta está desligada e a bateria removida antes de efectuar operações de inspecção ou de manutenção.

### Substituir as escovas de carvão (Fig. 10)

Remova e verifique regularmente as escovas de carvão. Substitua-as quando o desgaste atingir a marca limite.

Mantenha-as limpas e soltas para poderem deslizar nos suportes.

Substitua as duas ao mesmo tempo. As escovas de um mesmo par utilizado devem ser idênticas.

Utilize uma chave de parafusos para remover as tampas do porta-escovas.

Retire as escovas usadas, coloque umas novas e fixe as tampas do porta-escovas. (Fig. 11)

Para manter os níveis de SEGURANÇA e FIABILIDADE definidos para este produto, reparações, operações de manutenção ou ajustes devem ser executados por centros de assistência Makita autorizados e, no caso de substituição de peças, estas devem ser igualmente Makita.

## ACESSÓRIOS

### PRECAUÇÃO:

- Os seguintes acessórios ou extensões são os recomendados para utilizar com a ferramenta Makita especificada neste manual. A utilização de outros acessórios ou extensões pode provocar ferimentos. Utilize cada acessório ou extensão apenas para o fim indicado.

Se precisar de informações adicionais relativas aos acessórios, contacte o centro local de assistência Makita.

- Encaixes
- Barra de extensão
- Junta universal
- Adaptador de broca
- Bateria e carregador genuínos da Makita

## Apenas para os países europeus

### Ruído

ENG102-3

Os níveis acústicos ponderados A típicos foram determinados segundo a EN60745:

Nível de pressão sonora ( $L_{pA}$ ): 94 dB (A)

Nível de potência sonora ( $L_{WA}$ ): 105 dB (A)

Imprecisão (K): 3 dB (A)

### Use protecção para os ouvidos.

### Vibração

ENG205-2

O valor total da vibração (soma vectorial triaxial) é determinado segundo a EN60745:

Modo de trabalho: aperto de impacto de fixadores da capacidade máxima da ferramenta

Emissão de vibração ( $a_h$ ): 19  $m/s^2$

Imprecisão (K): 1,5  $m/s^2$

ENG901-1

- O valor da emissão de vibração declarado foi medido de acordo com o método de teste padrão e pode ser utilizado para comparar uma ferramenta com outra.
- O valor da emissão de vibração declarado pode também ser utilizado numa avaliação preliminar de exposição.

### AVISO:

- A emissão de vibração durante a utilização real da ferramenta eléctrica pode ser diferente do valor de emissão declarado, dependendo da forma como a ferramenta é utilizada.
- Certifique-se de que identifica medidas de segurança, para proteger o operador, que são baseadas numa estimativa de exposição nas condições reais de utilização (tendo em conta todas as partes do ciclo de funcionamento, como as vezes que a ferramenta é desligada e quando está a trabalhar ao ralenti, além do tempo de utilização).

## Apenas para os países europeus

ENH101-13

### Declaração de conformidade EC

**A Makita Corporation, na qualidade do fabricante responsável, declara que a(s) máquina(s) Makita seguinte(s):**

Designação da máquina: Chave de impacto sem fios

N.º de modelo/Tipo: BTW450

são de produção em série e

**estão em conformidade com as Directivas Europeias seguintes:**

98/37/EC até 28 de Dezembro de 2009 e, de seguida, com a 2006/42/EC a partir de 29 de Dezembro de 2009

E são fabricadas de acordo com as normas ou os documentos padronizados seguintes:

EN60745

A documentação técnica é mantida pelo nosso representante autorizado na Europa, que é:

Makita International Europe Ltd.,  
Michigan, Drive, Tongwell,  
Milton Keynes, MK15 8JD, Inglaterra

30 de Janeiro de 2009



Tomoyasu Kato  
Director

Makita Corporation  
3-11-8, Sumiyoshi-cho,  
Anjo, Aichi, JAPAN

## DANSK (Originalvejledning)

### Forklaring til generel oversigt

1. Rød del	8. Ambolt	15. Strammingsmoment
2. Knap	9. O-ring	16. Korrekt strammingsmoment
3. Batteripakke	10. Stift	17. Stramningstid (S)
4. Kontaktgreb	11. Rille	18. Spænd og vrid-bolt
5. Lampe	12. Skrue	19. Slidgrænse
6. Lampekontakt	13. Krog	20. Kulholderdækse
7. Muffe	14. Standardbolt	21. Skruetrækker

## SPECIFIKATIONER

Model		BTW450
Kapaciteter	Standardbolt	M12 - M22
	Spænd og vrid-bolt	M12 - M16
Firkantdrev		12,7 mm
Hastighed uden belastning (min <sup>-1</sup> )		1.600
Slag pr. minut		2.200
Maks. strammingsmoment		440 N.m
Længde i alt		266 mm
Nettovægt		3,4 kg
Nominel spænding		18 V DC

- På grund af vores løbende forsknings- og udviklingsprogram kan specifikationerne heri ændres uden forudgående varsel.
- Specifikationerne kan variere fra land til land.
- Vægt, inklusive batteripakken, i henhold til EPTA-Procedure 01/2003


### Tilsigtet brug

ENE036-1

Dette værktøj er beregnet til at stramme bolte og møtrikker.

## Generelle sikkerhedsadvarsler for maskiner

GEA010-1

 **ADVARSEL** Læs alle sikkerhedsadvarsler og alle instruktioner. Hvis De ikke følger alle advarsler og instruktioner, kan det medføre elektrisk stød, brand og/eller alvorlig personskade.

## Gem alle advarsler og instruktioner til senere reference.

## AVISOS DE SEGURANÇA PARA A APARAFUSADORA SEM FIOS

GEB049-2

1. Quando executar operações em que a aparafusadora possa entrar em contacto com fios eléctricos ocultos, tenha o cuidado de tocar apenas nas superfícies isoladas da máquina. As máquinas de aperto que entrem em contacto com um fio eléctrico ligado à corrente podem expor as partes metálicas e causar um choque.
2. Bær høreværn.
3. Efterse muffen omhyggeligt for slid, revner eller beskadigelse før montering.
4. Hold godt fast i værktøjet.

5. Sørg altid for at have et solidt fodfæste. Sørg for, at der ikke er nogen under Dem, når De benytter værktøjet på højtliggende steder.
6. Det korrekte strammingsmoment kan variere afhængigt af boltens type eller størrelse. Kontroller strammingsmomentet med en momentnøgle.

## GEM DISSE INSTRUKTIONER.

### ADVARSEL:

NÃO deixe que o progressivo à vontade com o produto (resultante de uma utilização frequente) o faça esquecer o estrito cumprimento das regras de segurança de utilização do produto. A UTILIZAÇÃO INCORRECTA ou o não cumprimento das regras de segurança fornecidas neste manual de instruções podem provocar ferimentos graves.

## VIGTIGE SIKKERHEDSINSTRUKTIONER

ENC007-4

## FOR BATTERIPAKKEN

1. Før brugen af batteripakken skal De læse alle instruktioner og advarsler på (1) batteriopladeren, (2) batteriet og (3) det produkt, som batteriet anvendes i.
2. Skil ikke batteripakken ad.
3. Hvis driftstiden bliver betydeligt kortere, skal De straks ophøre med brugen. Brug kan medføre



risiko for overophedning, mulige forbrændinger eller endog eksplosion.

4. Hvis De får elektrolyt i øjnene, skal De med det samme rense øjnene med rent vand og søge læge. Dette kan medføre tab af synet.
5. Kortslut ikke batteripakken:
  - (1) Undgå at berøre terminalerne med ledende materiale.
  - (2) Undgå at opbevare batteripakken i en beholder med andre metalgenstande som f.eks. søm, mønter osv.
  - (3) Udsæt ikke batteripakken for vand eller regn. Hvis batteriet kortsluttes, kan det medføre voldsom strøm, overophedning, mulige forbrændinger og endog nedbrud.
6. Undgå at opbevare værktøjet og batteripakken på steder, hvor temperaturen kan komme op på eller overstige 50°C (122°F).
7. Sæt ikke ild til batteripakken, selvom den er alvorligt beskadiget eller helt udtjent. Batteripakken kan eksplodere ved brand.
8. Undgå at tabe eller slå på batteriet.
9. Não utilize baterias que tenham caído ou sofrido choques.

## GEM DISSE INSTRUKTIONER.

Tip til, hvordan De forlænger batteriets levetid

1. Udskift batteripakken, før den bliver helt afladet. Ophør med at bruge værktøjet, og oplad batteripakken, hvis strømmen til værktøjet aftager.
2. Oplad aldrig en fuldt opladet batteripakke. Overopladning forkorter batteriets levetid.
3. Oplad batteripakken ved stuetemperatur på 10°C – 40°C (50°F – 104°F). Lad batteripakken køle ned, før den oplades, hvis den er varm.

## FUNKTIONSBESKRIVELSE

### FORSIGTIG:

- Sørg altid for, at værktøjet er slukket, og at batteripakken er taget ud, før De justerer værktøjet eller kontrollerer dets funktion.

### Montering eller afmontering af batteripakken (Fig. 1)

- Sluk altid for værktøjet, før De monterer eller afmonterer batteripakken.
- Ved afmontering af batteripakken trækkes den ud af værktøjet, mens der trykkes på knappen foran på pakken.
- Ved montering af batteripakken justeres tungen på batteripakken med rillen i huset, hvorefter pakken skubbes på plads. Sæt den altid hele vejen ind, indtil den låses på plads med et lille klik. Hvis den røde del øverst på knappen er synlig, er batteripakken ikke låst helt fast. Sæt den helt ind, indtil den røde del ikke er synlig. Ellers kan den falde ud af værktøjet og skade Dem eller andre personer i nærheden.
- Brug ikke magt ved montering af batteripakken. Hvis den ikke glider let ind, er den ikke indsat korrekt.

### Betjening af kontakt (Fig. 2)

#### FORSIGTIG:

- Før batteripakken sættes i værktøjet, skal De altid kontrollere, at kontaktgrebet reagerer korrekt og vender tilbage til "OFF"-stillingen, når De slipper det.
- Skift først rotationsretning, når værktøjet er stoppet helt. Hvis retningen skiftes, før værktøjet er stoppet, kan det beskadige værktøjet.

Kontakt kan vendes, så værktøjet kan rotere både med og mod uret. For at starte værktøjet skal De trykke på den nederste del (A) af kontaktgrebet for rotation med uret eller på den øverste del (B) for rotation mod uret. Slip kontaktgrebet for at stoppe.

### Tænding af lampen (Fig. 3)

#### FORSIGTIG:

- Se ikke direkte ind i lyset eller lyskilden. Tryk på den øverste del af lampekontakten for at tænde lampen og på den nederste del for at slukke den.

#### BEMÆRK:

- Benyt en tør klud til at tørre snavs af lampens linse. Pas på ikke at ridse lampens linse, da det kan mindske lysstyrken.
- Lampen er udstyret med antiafladningskredslob. Hvis lampen ikke tændes, selvom der er tændt ved lampekontakten, skyldes det sandsynligvis, at batteriet er ved at være afladet. Prøv at udskifte batteripakken.
- Lad lampekontakten stå i stillingen "Off", når De ikke har brug for lyset.

## MONTERING

### FORSIGTIG:

- Sørg altid for, at værktøjet er slukket, og at batteripakken er taget ud, før De udfører nogen form for arbejde på værktøjet.

### Valg af den rigtige muffe

Brug altid den rigtige muffestørrelse til bolte og møtrikker. En forkert muffestørrelse medfører forkert og inkonsekvent strammingsmoment og/eller beskadigelse af boltene eller møtrikken.

### Montering eller afmontering af muffen (Fig. 4)

1. For muffen uden O-ring og stift  
For at montere muffen skubbes den ned over ambolten på værktøjet, til den låses på plads. For at fjerne muffen skal De blot trække den af.
2. For muffe med O-ring og stift (Fig. 5)  
Tag O-ringen ud af rillen i muffen, og fjern stiften fra muffen. Sæt muffen på ambolten på værktøjet, så hullet i muffen er justeret med hullet i ambolten. Sæt stiften gennem hullet i muffen og ambolten. Sæt derefter O-ringen på den oprindelige placering i rillen på muffen for at holde stiften fast. Følg fremgangsmåden til montering i omvendt rækkefølge for at afmontere muffen.

Juster hullet i siden af muffen med stoppestiften på ambolten, og skub den ned over ambolten på værktøjet, til den låses fast. Bank forsigtigt på den, hvis det er nødvendigt.

For at fjerne muffen skal De blot trække den af.

## Krog

### FORSIGTIG:

Når krogen er monteret, skal De sikre Dem, at den er fastgjort forsvarligt. (Fig. 6)  
Krogen er nyttig til midlertidig ophængning af værktøjet. Den kan monteres i begge sider af værktøjet. For at montere krogen indsættes den i en rille i værktøjet på en af siderne, hvorefter den fastgøres med en skrue. Den afmonteres ved at løsne skruen og tage den ud.

## BETJENING

### FORSIGTIG:

- Sæt altid batteripakken helt ind, indtil den låses på plads. Hvis den røde del øverst på knappen er synlig, er batteripakken ikke låst helt fast. Sæt den helt ind, indtil den røde del ikke er synlig. Ellers kan den falde ud af værktøjet og skade Dem eller andre personer i nærheden.

Hold godt fast i værktøjet, og placer muffen over boltene eller møtrikken. Tænd for værktøjet, og fastspænd i den korrekte fastspændingstid. (Fig. 7)  
Det korrekte fastspændingsmoment kan variere afhængigt af boltens type eller størrelse, materialet af det arbejdsemne, der skal fastgøres, osv. Forholdet mellem fastspændingsmoment og fastspændingstid er vist i figurene. (Fig. 8 og 9)

### BEMÆRK:

- Hold værktøjet, så det vender rigtigt i forhold til boltene eller møtrikken.
- Hvis fastspændingsmomentet er for højt, kan det beskadige boltene/møtrikken eller muffen. Før De påbegynder arbejdet, skal De altid udføre en testkørsel for at bestemme den korrekte stramningstid for boltene eller møtrikken.
- Hvis værktøjet betjenes konstant, indtil batteripakken er afladet, skal De lade værktøjet hvile i 15 minutter, før De fortsætter med en ny batteripakke.

Strammingsmomentet bestemmes af en lang række faktorer, der omfatter følgende. Kontroller altid momentet med en momentnøgle efter stramningen.

1. Når batteripakken er næsten helt afladet, mindskes spændingen, og strammingsmomentet reduceres.
2. Muffe
  - Hvis De ikke anvender den rigtige størrelse muffe, reduceres strammingsmomentet.
  - Um encaixe gasto (desgaste na ponta hexagonal ou quadrada) irá provocar uma diminuição do binário de aperto.
3. Bolt
  - Selvom momentkoefficienten og boltklassen er den samme, varierer det korrekte strammingsmoment afhængigt af boltens diameter.
  - Selvom boltens diameter er den samme, varierer det korrekte strammingsmoment afhængigt af momentkoefficienten, boltklassen og boltens længde.
4. Brug af universalsamlingen eller forlængerstangen reducerer slagskruenøglens fastspændingsmoment en smule. Kompenser for dette ved at stramme lidt længere tid.

5. Den måde, værktøjet holdes på, eller materialet i drejpositionen, der skal fastgøres, påvirker momentet.
6. Trabalhar com a ferramenta a baixa velocidade provoca uma redução na força de aperto.

## VEDLIGEHOLDELSE

### FORSIGTIG:

- Sørg altid for, at værktøjet er slukket, og at batteripakken er taget ud, før De forsøger at udføre inspektion eller vedligeholdelse.

### Udskiftning af kulbørsterne (Fig. 10)

Tag regelmæssigt kulbørsterne af, og efterse dem. Udskift dem, når de er nedslidte til slidgrænsen. Hold kulbørsterne rene og frie til at glide i holderne. Begge kulbørster skal udskiftes samtidig. Brug altid identiske kulbørster.  
Brug en skruetrækker til at fjerne kulholderdækslerne. Tag de udslidte kulbørster ud, monter de nye, og fastgør kulholderdækslerne. (Fig. 11)  
For at holde produktet SIKKERT og PÅLIDELIGT skal reparationer samt al anden vedligeholdelse eller justering udføres af autoriserede Makita-servicecentre, og der skal altid benyttes Makita-reservedele.

## TILBEHØR

### FORSIGTIG:

- Dette tilbehør eller ekstraudstyr anbefales til brug med det Makita-værktøj, som er beskrevet i denne brugsanvisning. Brug af andet tilbehør eller ekstraudstyr kan forårsage personskade. Brug kun tilbehør eller ekstraudstyr til det formål, det er beregnet til.

Henvend Dem til Deres lokale Makita-servicecenter, hvis De har brug for hjælp eller yderligere oplysninger vedrørende tilbehøret.

- Muffer
- Forlængerstang
- Universalsamling
- Spidsadapter
- Originalt batteri og oplader fra Makita

### Kun for lande i Europa

#### Støj

ENG102-3

Det typiske A-vægtede lydtrykniveau bestemt i overensstemmelse med EN60745:

- Lydtrykniveau ( $L_{pA}$ ): 94 dB (A)
- Lydkraftniveau ( $L_{WA}$ ): 105 dB (A)
- Usikkerhed (K): 3 dB (A)

#### Bær høreværn.

#### Vibration

ENG205-2

Den samlede vibrationsværdi (treaksiel vektorsum) bestemt i overensstemmelse med EN60745:

- Arbejdstilstand: stramning med slag af fastgøringsmidler ved værktøjets maksimale kapacitet
- Vibrationsemission ( $a_{h1}$ ): 19 m/s<sup>2</sup>
- Usikkerhed (K): 1,5 m/s<sup>2</sup>

- Den opgivne vibrationsemissionsværdi er målt i overensstemmelse med standardtestmetoden og kan bruges til at sammenligne et værktøj med et andet.
- Den opgivne vibrationsemissionsværdi kan muligvis også bruges til en indledende eksponeringsvurdering.

**⚠ ADVARSEL:**

- Vibrationsemissionen under den faktiske brug af maskinen kan afvige fra den opgivne emissionsværdi afhængigt af den måde, maskinen anvendes på.
- Sørg for at bestemme sikkerhedsforanstaltninger for beskyttelse af operatøren, som er baseret på en eksponeringsvurdering for brug under faktiske forhold (hvor alle anvendelsescyklussens dele inddrages, som f.eks. antal gange maskinen slukkes, og når den kører i tomgang ud over triggertiden).

**Kun for lande i Europa**

ENH101-13

**EC-erklæring vedrørende overholdelse af standarder Vi, Makita Corporation, erklærer som ansvarlig producent at følgende Makita-maskine(r):**

Maskinens betegnelse: Ledningsfri slagskruenøgle

Modelnummer/ type: BTW450

er en produktionsserie og

**Overholder følgende europæiske direktiver:**

98/37/EC indtil den 28. december 2009 og derefter

2006/42/EC fra den 29. december 2009

Og er produceret i overensstemmelse med følgende standarder eller standardiserede dokumenter:

EN60745

Den tekniske dokumentation findes hos vores

autoriserede repræsentant i Europa:

Makita International Europe Ltd.,

Michigan, Drive, Tongwell,

Milton Keynes, MK15 8JD, England

30. januar 2009



Tomoyasu Kato  
Direktør

Makita Corporation  
3-11-8, Sumiyoshi-cho,  
Anjo, Aichi, JAPAN

## ΕΛΛΗΝΙΚΑ (Πρωτογενείς οδηγίες)

### Περιγραφή γενικής όψης

- |                       |                             |                                       |
|-----------------------|-----------------------------|---------------------------------------|
| 1. Κόκκινο τμήμα      | 9. Δακτύλιος                | 17. Χρόνος σύσφιξης (Δευτ.)           |
| 2. Κουμπί             | 10. Περώνη                  | 18. Μπουλόνι υψηλής αντοχής           |
| 3. Μπαταρία           | 11. Εγκοπή                  | 19. Ένδειξη ορίου                     |
| 4. Σκανδάλη-διακόπτης | 12. Βίδα                    | 20. Καπάκι υποδοχής για το καρβουνάκι |
| 5. Λάμπα              | 13. Γάντζος                 | 21. Καταβαθίδι                        |
| 6. Διακόπτης λάμπας   | 14. Τυπικό μπουλόνι         |                                       |
| 7. Υποδοχή            | 15. Ροπή σύσφιξης           |                                       |
| 8. Ακμονας            | 16. Κατάλληλη ροπή σύσφιξης |                                       |

## ΠΡΟΔΙΑΓΡΑΦΕΣ

Μοντέλο		BTW450
Χωρητικότητα	Τυπικό μπουλόνι	M12 - M22
	Μπουλόνι υψηλής αντοχής	M12 - M16
Τετράγωνος οδηγός		12.7 εκατοστά
Ταχύτητα χωρίς φορτίο (min <sup>-1</sup> )		1.600
Κρούσεις ανά λεπτό		2.200
Μέγιστη ροπή σύσφιξης		440 N.m
Ολικό μήκος		266 εκατοστά
Καθαρό βάρος		3,4 κιλά
Ονομαστική τιμή τάσης		D.C.18 V

- Λόγω του συνεχόμενου προγράμματος που εφαρμόζουμε για έρευνα και ανάπτυξη, τα τεχνικά χαρακτηριστικά στο παρόν έντυπο υπόκεινται σε αλλαγή χωρίς προειδοποίηση.
- Τα τεχνικά χαρακτηριστικά μπορεί να διαφέρουν ανάλογα με τη χώρα.
- Βάρος μαζί με την μπαταρία σύμφωνα με τη διαδικασία της EPTA 01/2003

### Προοριζόμενη χρήση

ENE036-1

Το εργαλείο προορίζεται για το σφίξιμο μπουλονιών και παξιμαδιών.

## Γενικές Προειδοποιήσεις Ασφαλείας Του Ηλεκτρικού Εργαλείου

GEA010-1

**⚠ ΠΡΟΕΙΔΟΠΟΙΗΣΗ Διαβάστε όλες τις προειδοποιήσεις ασφαλείας και όλες τις οδηγίες.** Αν δεν ακολουθήσετε όλες τις προειδοποιήσεις και τις οδηγίες, υπάρχει κίνδυνος ηλεκτροπληξίας, πυρκαγιάς ή/και σοβαρού τραυματισμού.

## Φυλάξτε όλες τις προειδοποιήσεις και τις οδηγίες για μελλοντική αναφορά.

## ΠΡΟΕΙΔΟΠΟΙΗΣΕΙΣ ΑΣΦΑΛΕΙΑΣ ΔΡΑΠΑΝΟΚΑΤΣΑΒΙΔΟΥ ΜΠΑΤΑΡΙΑΣ

GEB049-2

1. Να κρατάτε το ηλεκτρικό εργαλείο από τις μονωμένες λαβές όταν εκτελείτε εργασίες κατά τις οποίες ο σφικτήρας μπορεί να έρθει σε επαφή με κρυμμένα καλώδια. Αν οι σφικτήρες έρθουν σε επαφή με κάποιο ηλεκτροφόρο καλώδιο, τα εκτεθειμένα μεταλλικά μέρη του ηλεκτρικού εργαλείου

θα γίνουν κι αυτά ηλεκτροφόρα και μπορεί να προκληθεί ηλεκτροπληξία στο χειριστή.

2. **Να φοράτε υγροαπίδες.**
3. **Πριν από την εγκατάσταση, να ελέγχετε προσεχτικά την υποδοχή για ραγίσματα ή ζημιά.**
4. **Να κρατάτε το εργαλείο σταθερά.**
5. **Να βεβαιώνετε πάντοτε ότι στέκεστε σταθερά. Όταν χρησιμοποιείτε το εργαλείο σε υψηλές τοποθεσίες, να βεβαιώνετε ότι δεν βρίσκεται κανένας από κάτω.**
6. **Η κατάλληλη ροπή σύσφιξης μπορεί να διαφέρει ανάλογα με το είδος και το μέγεθος του μπουλονιού. Ελέγξτε τη ροπή με ένα κλειδί ροπής.**

## ΦΥΛΑΞΤΕ ΑΥΤΕΣ ΤΙΣ ΟΔΗΓΙΕΣ.

### ΠΡΟΕΙΔΟΠΟΙΗΣΗ:

ΜΗΝ επιτρέψετε στη βολικότητα ή στην εξοικειώσή σας με το προϊόν (που αποκτήθηκε από επανειλημμένη χρήση) να αντικαταστήσει την αυστηρή προσήλωση στους κανόνες ασφαλείας του εν λόγω προϊόντος. Η ΛΑΝΘΑΣΜΕΝΗ ΧΡΗΣΗ ή η μη τήρηση των κανόνων ασφαλείας που διατυπώνονται στο παρόν εγχειρίδιο οδηγίων μπορεί να προκαλέσει σοβαρό τραυματισμό.

## ΓΙΑ ΤΗΝ ΜΠΑΤΑΡΙΑ

1. Πριν χρησιμοποιήσετε την μπαταρία, διαβάστε όλες τις οδηγίες και τις ενδείξεις προφύλαξης στο (1) φορτιστή μπαταρίας, (2) την μπαταρία και (3) το προϊόν στο οποίο χρησιμοποιείται η μπαταρία.
2. Μην αποσυρμολογείτε την μπαταρία.
3. Αν ο χρόνος λειτουργίας της μπαταρίας έχει γίνει υπερβολικά σύντομος, διακόψτε αμέσως τη λειτουργία. Αν συνεχίσετε, μπορεί να έχει ως αποτέλεσμα τον κίνδυνο υπερθέρμανσης, πιθανών εγκαυμάτων και ακόμη έκρηξης.
4. Αν μπει στα μάτια σας ηλεκτρολύτης, ξεπλύνετε με καθαρό νερό και αναζητήστε αμέσως ιατρική βοήθεια. Μπορεί να χάσετε την όρασή σας.
5. Μην βραχυκυκλώνετε την μπαταρία:
  - (1) Μην αγγίζετε τους ακροδέκτες με αγώγιμο υλικό.
  - (2) Μην αποθηκεύετε την μπαταρία σε δοχείο με άλλα μεταλλικά αντικείμενα, όπως καρφιά, νομίσματα, κτλ.
  - (3) Μην εκθέτετε την μπαταρία σε νερό ή βροχή. Αν βραχυκυκλωθεί η μπαταρία, μπορεί να προκληθεί μεγάλη ροή ηλεκτρικού ρεύματος, υπερθέρμανση, πιθανά εγκαύματα ακόμη και κατάρρευση.
6. Μην αποθηκεύετε το εργαλείο και την μπαταρία σε μέρη όπου η θερμοκρασία μπορεί να φτάσει ή να ξεπεράσει τους 50°C (122°F).
7. Μην αποτεφρώνετε την μπαταρία ακόμη κι αν παρουσιάζει σοβαρή ζημιά ή είναι εντελώς φθαρμένη. Η μπαταρία μπορεί να εκραγεί σε φωτιά.
8. Να προσέχετε να μη σας πέσει η μπαταρία και να μη συγκρουστεί με κάποιο αντικείμενο.
9. Μην χρησιμοποιήσετε μια μπαταρία που έχει πέσει κάτω ή είναι χτυπημένη.

## ΦΥΛΑΞΤΕ ΑΥΤΕΣ ΤΙΣ ΟΔΗΓΙΕΣ.

Συμβουλές για τη διατήρηση της μέγιστης ζωής της μπαταρίας

1. Να φορτίζετε την μπαταρία πριν αποφορτιστεί εντελώς. Πάντοτε να διακόπτετε τη λειτουργία του εργαλείου και να φορτίζετε την μπαταρία όταν παρατηρήσει μειωμένη ισχύ του εργαλείου.
2. Ποτέ μην επαναφορτίζετε μια πλήρως φορτισμένη μπαταρία. Αν υπερφορτίσετε την μπαταρία, μειώνεται η ωφέλιμη διάρκεια ζωής της.
3. Να φορτίζετε την μπαταρία σε θερμοκρασία δωματίου, δηλαδή στους 10°C έως 40°C (50°F έως 104°F). Αν η μπαταρία είναι θερμή, αφήστε την να ψυχθεί πριν τη φορτίσετε.

## ΠΕΡΙΓΡΑΦΗ ΛΕΙΤΟΥΡΓΙΑΣ

### ΠΡΟΣΟΧΗ:

- Να βεβαιώνετε πάντοτε ότι έχετε σβήσει το εργαλείο και έχετε βγάλε τη μπαταρία πριν ρυθμίσετε ή ελέγξετε κάποια λειτουργία του εργαλείου.

## Τοποθέτηση ή αφαίρεση της μπαταρίας (Εικ. 1)

- Πάντοτε να σβήνετε το εργαλείο πριν την τοποθέτηση ή την αφαίρεση της μπαταρίας.
- Για να βγάλετε την μπαταρία, τραβήξτε την από το εργαλείο καθώς σύρετε το κουμπί στο μπροστινό τμήμα της μπαταρίας.
- Για να τοποθετήσετε την μπαταρία, ευθυγραμμίστε τη γλωττίδα στην μπαταρία με την εγκοπή στο περιβλήμα και ολισθήστε τη στη θέση της. Πάντοτε να την τοποθετείτε έως το τέρμα, δηλαδή έως όπου ασφαλίζει στη θέση και ακουστεί ένας χαρακτηριστικός ήχος («κλικ»). Αν φαίνεται το κόκκινο τμήμα στην άνω πλευρά του κουμπιού, η μπαταρία δεν είναι πλήρως ασφαλισμένη. Εισάγετε την πλήρως έως όπου να μη φαίνεται το κόκκινο τμήμα. Σε αντίθετη περίπτωση, μπορεί να πέσει κατά λάθος από το εργαλείο και να τραυματίσει εσάς ή κάποιον παρευρισκόμενο.
- Να μη χρησιμοποιείτε δύναμη όταν τοποθετείτε την μπαταρία. Αν η μπαταρία δεν ολισθαίνει με ευκολία, δεν την εισήγατε σωστά.

## Δράση διακόπτη (Εικ. 2)

### ⚠ ΠΡΟΣΟΧΗ:

- Πριν την τοποθέτηση της μπαταρίας στο εργαλείο, πάντοτε να ελέγχετε ότι η σκανδάλη-διακόπτης ενεργοποιείται κανονικά και επιστρέφει στη θέση OFF όταν την αφήνετε.
- Να αλλάζετε την διεύθυνση ή την περιστροφή μόνο όταν το εργαλείο είναι εντελώς ακινητοποιημένο. Αν αλλάξει πριν ακινητοποιηθεί το εργαλείο, μπορεί να προκληθεί βλάβη στο εργαλείο.

Ο διακόπτης είναι αναστρέψιμος και παρέχει δεξιά ή αριστερή περιστροφή. Για να ξεκινήσετε το εργαλείο, απλά τραβήξτε το κάτω τμήμα της σκανδάλης-διακόπτης (A) για δεξιόστροφη κίνηση ή το πάνω τμήμα (B) για αριστερόστροφη κίνηση. Για να σταματήσετε, αφήστε τη σκανδάλη-διακόπτη.

## Άναμμα της μπροστινής λάμπας (Εικ. 3)

### ΠΡΟΣΟΧΗ:

- Μην κοπάτε κατευθείαν μέσα στο φως ή στην πηγή φωτός.

Πιέστε το πάνω τμήμα του διακόπτη της λάμπας για να ανάψει το φως και το κάτω τμήμα για να κλείσει.

### ΣΗΜΕΙΩΣΗ:

- Χρησιμοποιήστε ένα στεγνό πανί για να σκουπίσετε τη σκόνη από το φακό της λάμπας. Προσέχετε να μη γρατσουνίσετε το φακό της λάμπας, επειδή μπορεί να μειωθεί η ένταση του φωτισμού.
- Το φως παρέχεται με ένα κύκλωμα εκφόρτισης ενάντια στην υπερβολική φόρτιση. Όταν η λάμπα δεν ανάβει ακόμη και όταν είναι ενεργοποιημένος ο διακόπτης του φωτός, τότε είναι πιθανό η μπαταρία να έχει αδειάσει. Προσπαθήστε να φορτίσετε την μπαταρία.
- Κρατήστε στην απενεργοποιημένη θέση το διακόπτη της λάμπας όταν δεν έχετε ανάγκη το φως.

# ΣΥΝΑΡΜΟΛΟΓΗΣΗ

## ΠΡΟΣΟΧΗ:

- Να βεβαιώνετε πάντοτε ότι έχετε σβήσει το εργαλείο και έχετε βγάλει την μπαταρία πριν εκτελέσετε οποιαδήποτε εργασία σε αυτό.

## Επιλογή της σωστής υποδοχής

Πάντοτε να χρησιμοποιείτε το σωστό μέγεθος της υποδοχής για τα μπουλόνια και τα παξιμάδια. Η χρήση ενός λανθασμένου μεγέθους υποδοχής μπορεί να προκαλέσει μια λανθασμένη και ασταθής ροπή σύσφιξης και/ή τη ζημιά στο μπουλόνι ή στο παξιμάδι.

## Τοποθέτηση ή αφαίρεση της υποδοχής (Εικ. 4)

1. Για υποδοχή χωρίς δακτύλιο και περόνη  
Για να τοποθετήσετε την υποδοχή, σπρώξτε την πάνω στον άκμονα μέχρι να κλειδώσει στη θέση της.  
Για να αφαιρέσετε την υποδοχή, απλά τραβήξτε την έξω.
2. Για υποδοχή με δακτύλιο και περόνη (Εικ. 5)  
Μετακινήστε το δακτύλιο έξω από την εσοχή της υποδοχής και αφαιρέστε την περόνη από την υποδοχή. Τοποθετήστε την υποδοχή πάνω στον άκμονα του εργαλείου έτσι ώστε η τρύπα στην υποδοχή να είναι ευθυγραμμισμένη με την τρύπα στον άκμονα. Εισάγετε την περόνη μέσα από την τρύπα της υποδοχής και του άκμονα.  
Μετά επιστρέψτε τον δακτύλιο στην αρχική θέση μέσα στην εσοχή της υποδοχής για να συγκρατήσει την περόνη. Για να αφαιρέσετε την υποδοχή, ακολουθήστε τις διαδικασίες τοποθέτησης με αντίστροφη σειρά.

Ευθυγραμμίστε την τρύπα στην πλευρά της υποδοχής με την ανασταλτική περόνη στον άκμονα και σπρώξτε την πάνω στον άκμονα του εργαλείου έως ότου κλειδώσει στην θέση της. Κτυπήστε την ελαφρά αν απαιτείται. Για να αφαιρέσετε την υποδοχή, απλά τραβήξτε την έξω.

## Γάντζος

### ΠΡΟΣΟΧΗ:

Μετά την τοποθέτηση του γάντζου, βεβαιωθείτε ότι είναι καλά σφιγμένος. (Εικ. 6)

Ο γάντζος χρησιμεύει για το προσωρινό κρέμασμα του εργαλείου.

Μπορείτε να τον τοποθετήσετε σε οποιαδήποτε πλευρά του εργαλείου.

Για να τοποθετήσετε το γάντζο, βάλτε τον σε μια εγκοπή στο περιβλήμα του εργαλείου σε οποιαδήποτε πλευρά του και κατόπιν ασφαλίστε τον με μια βίδα.

Για να τον βγάλετε, χαλαρώστε τη βίδα και κατόπιν αφαιρέστε τον.

## ΛΕΙΤΟΥΡΓΙΑ

### ΠΡΟΣΟΧΗ:

- Να εισάγετε πάντοτε την μπαταρία έως το τέρμα, μέχρι να ασφαλίσει στη θέση της. Αν φαίνεται το κόκκινο τμήμα στην άνω πλευρά του κουμπιού, η μπαταρία δεν είναι πλήρως ασφαλισμένη.  
Εισάγετε την πλήρως έως ότου να μη φαίνεται το κόκκινο τμήμα. Σε αντίθετη περίπτωση, μπορεί να

πέσει κατά λάθος από το εργαλείο και να τραυματίσει εσάς ή κάποιον παρευρισκόμενο.

Κρατήστε το εργαλείο γερά και τοποθετήστε την υποδοχή πάνω από το μπουλόνι ή το παξιμάδι. Ενεργοποιήστε το εργαλείο και σφίξτε με τον κατάλληλο χρόνο σύσφιξης. (Εικ. 7)

Η κατάλληλη ροπή σύσφιξης μπορεί να διαφέρει ανάλογα με το είδος ή το μέγεθος της βίδας/του μπουλονιού, του υλικού του αντικειμένου που στερεώνεται, κτλ. Η σχέση μεταξύ της ροπής σύσφιξης και του χρόνου σύσφιξης δείχνεται στα διαγράμματα. (Εικ. 8 και 9)

### ΣΗΜΕΙΩΣΗ:

- Να κρατάτε το εργαλείο σε ευθεία με το παξιμάδι ή τη βίδα.
- Η υπερβολική ροπή σύσφιξης μπορεί να προκαλέσει ζημιά στο μπουλόνι/παξιμάδι ή στην υποδοχή. Πριν ξεκινήσετε την εργασία σας, πάντοτε να εκτελείτε μια δοκιμαστική χρήση για να καθορίσετε τον κατάλληλο χρόνο σύσφιξης για το μπουλόνι σας ή το παξιμάδι.
- Αν το εργαλείο λειτουργεί συνεχόμενα έως ότου αποφορτιστεί η μπαταρία, αφήστε το εργαλείο σβηστό για 15 λεπτά πριν συνεχίσετε την εργασία με καινούργια μπαταρία.

Η ροπή σύσφιξης επηρεάζεται από μια ευρεία ποικιλία παραγόντων συμπεριλαμβανομένων των ακόλουθων. Μετά από τη σύσφιξη, ελέγξτε πάντα τη ροπή με ένα κλειδί ροπής.

1. Όταν η μπαταρία αποφορτιστεί σχεδόν εντελώς, θα ελαττωθεί η τάση και η ροπή σύσφιξης θα μειωθεί.
2. Υποδοχή
  - Η μη χρήση του σωστού μεγέθους της υποδοχής θα προκαλέσει μια μείωση της ροπής σύσφιξης.
  - Μια φθαρμένη υποδοχή (φθορά στο εξάγωνο ή τετράγωνο άκρο) θα προκαλέσει τη μείωση της ροπής σύσφιξης.
3. Μπουλόνι
  - Ακόμα κι αν ο συντελεστής ροπής και η κατηγορία μπουλονιού είναι οι ίδιοι, η κατάλληλη ροπή σύσφιξης θα διαφέρει σύμφωνα με τη διάμετρο του μπουλονιού.
  - Ακόμα κι αν οι διάμετροι των μπουλονιών είναι οι ίδιοι, η κατάλληλη ροπή σύσφιξης θα διαφέρει σύμφωνα με τη διάμετρο του μπουλονιού, την κλάση του μπουλονιού και το μήκος του μπουλονιού.
4. Η χρήση ενός αρθρωτού συνδέσμου ή μιας ράβδου προέκτασης κατά κάποιο τρόπο ελαττώνει την δύναμη σύσφιξης του δραπανακάβιδου. Αντισταθμίστε σφηνώνοντας για περισσότερο χρόνο.
5. Ο τρόπος του κρατήματος του εργαλείου ή του υλικού της θέσης βιδώματος που στερεώνεται θα επηρεάσει τη ροπή.
6. Η λειτουργία του εργαλείου σε χαμηλή ταχύτητα θα προκαλέσει τη μείωση της ροπής σύσφιξης.

## ΣΥΝΤΗΡΗΣΗ

### ΠΡΟΣΟΧΗ:

- Να βεβαιώνετε πάντοτε ότι έχετε σβήσει το εργαλείο και έχετε βγάλει την μπαταρία πριν εκτελέσετε οποιαδήποτε εργασία ελέγχου ή συντήρησης σε αυτό.

## Αλλαγή καρβουνακίων (Εικ. 10)

Να αφαιρέτε και να ελέγχετε τακτικά τα καρβουνάκια.

Να αντικαθιστάτε τα καρβουνάκια όταν έχουν φθαρεί έως την ένδειξη ορίου. Να διατηρείτε τα καρβουνάκια καθαρά και ελεύθερα για να γλιστρούν στις υποδοχές.

Πρέπει να αλλάξετε ταυτόχρονα και τα δύο καρβουνάκια.

Να χρησιμοποιείτε μόνο καρβουνάκια ίδιου τύπου.

Με τη βοήθεια ενός κατασαβιδιού, βγάλτε τα καπάκια υποδοχής για τα καρβουνάκια.

Βγάλτε τα φθαρμένα καρβουνάκια, τοποθετήστε τα καινούργια και ασφαλίστε τα καπάκια υποδοχής για τα καρβουνάκια. **(Εικ. 11)**

Για να διατηρείται η ΑΣΦΑΛΕΙΑ και η ΑΞΙΟΠΙΣΤΙΑ του προϊόντος, οι εργασίες επισκευής, καθώς και οποιαδήποτε άλλη εργασία συντήρησης ή ρύθμισης, θα πρέπει να εκτελούνται σε εξουσιοδοτημένα κέντρα εξυπηρέτησης της Makita, και πάντοτε με τη χρήση ανταλλακτικών της Makita.

## ΑΞΕΣΟΥΑΡ

### ΠΡΟΣΟΧΗ:

- Συνιστάται η χρήση των παρακάτω αξεσουάρ και εξαρτημάτων με το εργαλείο της Makita μόνο όπως καθορίζεται στο παρόν εγχειρίδιο. Αν χρησιμοποιήσετε άλλα αξεσουάρ ή εξαρτήματα μπορεί να παρουσιαστεί κίνδυνος για πρόκληση ατομικού τραυματισμού. Να χρησιμοποιείτε τα αξεσουάρ και τα εξαρτήματα μόνο για το σκοπό για τον οποίο προορίζονται.

Αν χρειάζεστε κάποια βοήθεια ή περισσότερες πληροφορίες σχετικά με τα αξεσουάρ αυτά, απευθυνθείτε στο πλησιέστερο κέντρο εξυπηρέτησης της Makita.

- Υποδοχές
- Ράβδος προέκτασης
- Αρθρωτός σύνδεσμος
- Προσαρμογέας μύτης
- Αυθεντική μπαταρία και φορτιστής της Makita

### Για ευρωπαϊκές χώρες μόνο

#### Θόρυβος

ENG102-3

Το σύνθετος σταθμισμένο επίπεδο θορύβου που έχει καθοριστεί σύμφωνα με την EN60745:

Επίπεδο ηχητικής πίεσης ( $L_{pA}$ ): 94 dB (A)

Επίπεδο ηχητικής ισχύος ( $L_{WA}$ ): 105 dB (A)

Αβεβαιότητα (K): 3 dB (A)

#### Να φοράτε ωτοασπίδες.

#### Δόνηση

ENG205-2

Η συνολική τιμή δόνησης (διανυσματικών άθροισμα τριών αξόνων) που έχει καθοριστεί σύμφωνα με την EN60745:

Κατάσταση λειτουργίας: κρουστικό σφίξιμο

Συνδέσμων στη μέγιστη ικανότητα του εργαλείου

Εκπομπή δόνησης ( $a_h$ ): 19 m/s<sup>2</sup>

Αβεβαιότητα (K): 1,5 m/s<sup>2</sup>

ENG901-1

- Η δηλωθείσα τιμή των παραγομένων κραδασμών έχει καταμετρηθεί σύμφωνα με την τυποποιημένη μέθοδο δοκιμασίας και μπορεί να χρησιμοποιηθεί για την σύγκριση ενός εργαλείου με ένα άλλο.
- Η δηλωθείσα τιμή των παραγομένων κραδασμών μπορεί επίσης να χρησιμοποιηθεί για μια προκαταρκτική αξιολόγηση της έκθεσης στους κραδασμούς.

### ΠΡΟΕΙΔΟΠΟΙΗΣΗ:

- Η εκπομπή κραδασμών κατά τη διάρκεια της πραγματικής χρήσης του ηλεκτρικού εργαλείου μπορεί

να διαφέρει από τη δηλωθείσα τιμή των εκπομπών, ανάλογα με τον τρόπο με τον οποίο χρησιμοποιείται το εργαλείο.

- Φροντίστε να λάβετε τα μέτρα ασφαλείας που απαιτούνται για την προστασία του χρήστη που βασίζονται σε μια εκτίμηση της έκθεσης σε πραγματικές συνθήκες χρήσης (λαμβάνοντας υπόψη όλα τα μέρη του κύκλου λειτουργίας, όπως είναι οι περιπτώσεις κατά τις οποίες το εργαλείο είναι απενεργοποιημένο και όταν λειτουργεί στο ρελαντί επιπρόσθετος του χρόνου κατά τον οποίο το εργαλείο βρίσκεται σε χρήση).

### Για τις ευρωπαϊκές χώρες μόνο

ENH101-13

#### ΕΚ Δήλωση Συμμόρφωσης

**Η Εταιρία Makita ως υπεύθυνος κατασκευαστής, δηλώνει ότι το παρακάτω μηχάνημα ή μηχανήματα της Makita:**

Όνομασία Μηχανήματος: Δραπανοκατάσβιδο μπαταρίας Αρ. Μοντέλου/ Τύπος: BTW450

αποτελούν παραγωγή σε σειρά και

**Συμμορφώνονται με τις ακόλουθες Ευρωπαϊκές**

#### **Οδηγίες:**

98/37/ΕΚ έως στην 28η Δεκεμβρίου 2009 και επακόλουθα με την 2006/42/ΕΚ από την 29η Δεκεμβρίου 2009

Και κατασκευάζονται σύμφωνα με τα παρακάτω πρότυπα ή τυποποιημένα έγγραφα:

EN60745

Ο εξουσιοδοτημένος μας αντιπρόσωπος στην Ευρώπη διατηρεί τα τεχνικά έγγραφα, ο οποίος είναι:

Makita International Europe Ltd.,

Michigan, Drive, Tongwell,

Milton Keynes, MK15 8JD, England

30η Ιανουαρίου 2009



Tomoyasu Kato  
Διευθυντής

Makita Corporation  
3-11-8, Sumiyoshi-cho,  
Anjo, Aichi, JAPAN

**Makita Corporation**  
Anjo, Aichi, Japan

[www.makita.com](http://www.makita.com)

884689B997

ALA